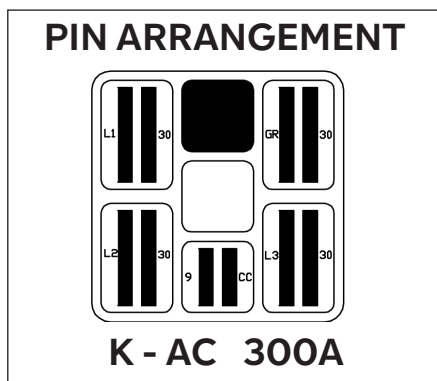
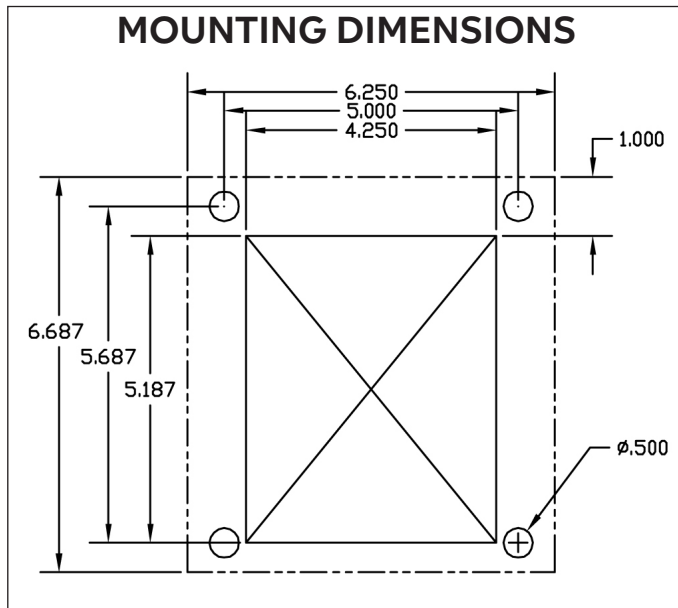


# Line Power Low Voltage Couplers

## The Mining Industry Standard for Couplers!

Product  
Data  
Sheet

### 69-Series Coupler with Sliding Cover 300 Amp - 1000 Volt - AC Application



**69-Series  
Receptacle**

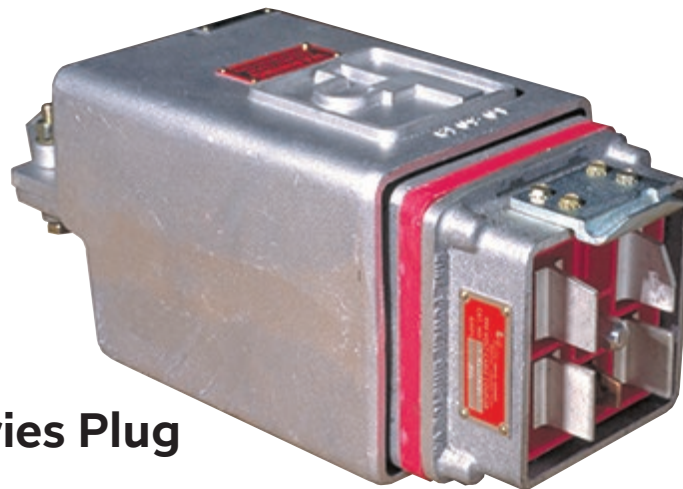
#### Application

Suitable for cable with 3 power wires, ground and ground check.  
For cable sizes up to 4/0 Round and No. 1 Flat, Types W, G and G-GC.

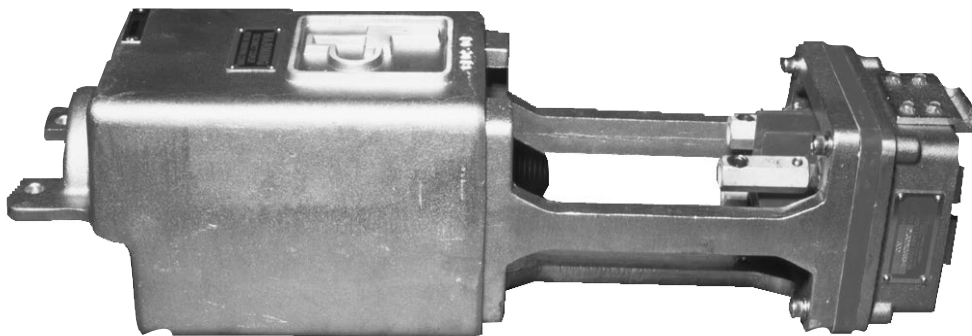
#### Receptacle Part Numbers

LP Part Number	Application	Dust Cap
RG30DNC69D	Gear Mounted Receptacle (Output)	Integral

# Plugs



**69-Series Plug**



**Sliding Covers and Large Terminating Compartments Make Cable Installation and Inspection Convenient.**

## Application

Suitable for cable with 3 power wires, ground and ground check.

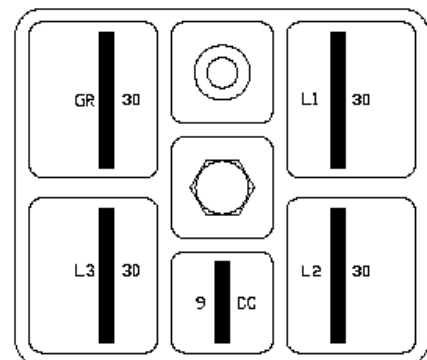
For cable sizes up to 4/0 Round and No. 1 Flat, Types W, G and G-GC.

Overall dimensions: 5.5" H x 6.25" w x 12.75" L.

## Plug Part Numbers

LP Part Number	Application	Dust Cap
PL30DNC69D	Line Mounted Plug (Output)	10-6031

## PIN ARRANGEMENT



**K - AC 300A**

