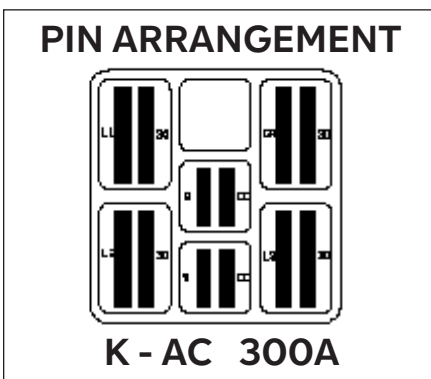
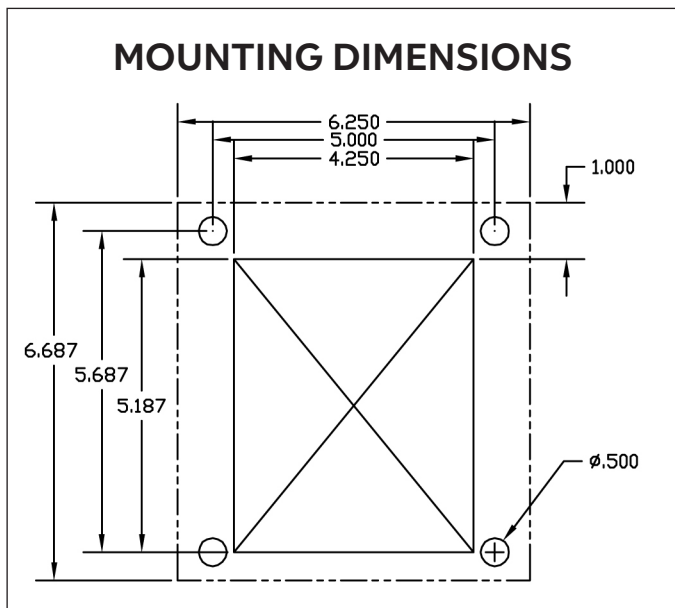


Line Power Low Voltage Couplers - The Mining Industry Standard for Couplers!

Product
Data
Sheet

67-Series Coupler with Sliding Cover 300 Amp - 1000 Volt - AC Application



**67-Series
Receptacle**

Application

Suitable for cable with 3 power wires, ground and ground check.
For cable sizes up to 4/0 Round and No. 1 Flat, Types W, G and G-GC.

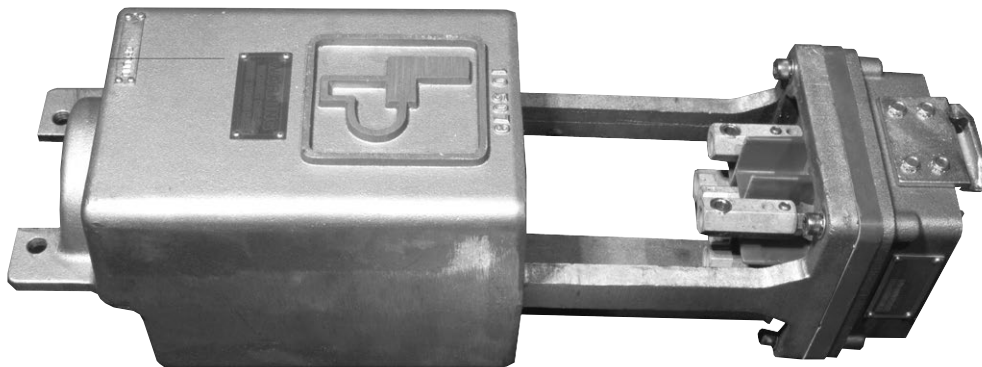
Receptacle Part Numbers

LP Part Number	Application	Dust Cap
RG30DNC67D	Gear Mounted Receptacle (Output)	Integral

Plugs



67-Series Plug



Sliding Covers and Large Terminating Compartments Make Cable Installation and Inspection Convenient.

Application

Suitable for cable with 3 power wires, ground and ground check.

For cable sizes up to 4/0 Round and No. 1 Flat, Types W, G and G-GC.

Overall dimensions: 6" H x 6.25" w x 15" L.

Plug Part Numbers

LP Part Number	Application	Dust Cap
PL30DNC67S	Line Mounted Plug (Output and Line Splice)	10-6300

