

Flange Terminators

General Information
Specifications
Parts

General

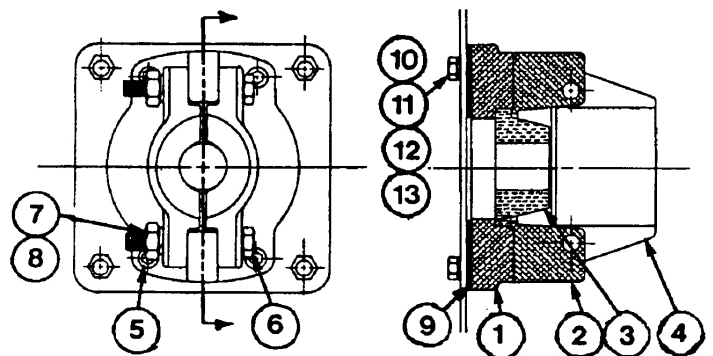
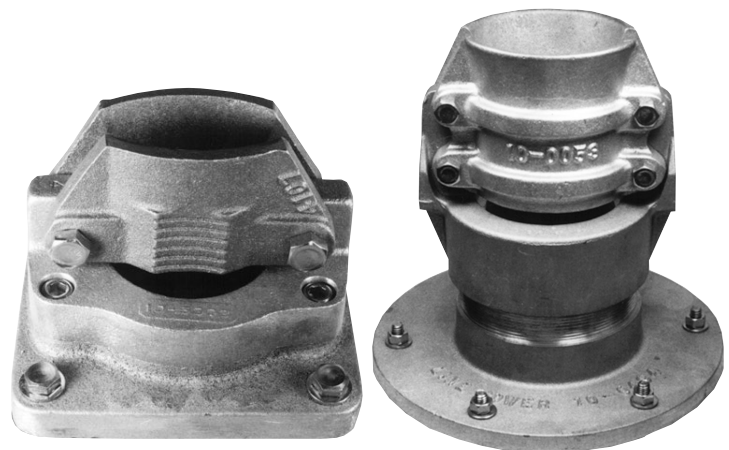
The Line Power Flange Terminator is a rugged combination of a strain relief mechanism and a water tight seal which is designed for use on all types of electrical equipment. It will accept a wide range of high and low voltage cable sizes. The Line Power Flange Terminator is superior to so called "cord grips" in that it provides mechanical strain relief through cable gripping aluminum clamps and a water tight seal through a rubber grommet. Conventional "cord grips" providing mechanical gripping with their grommet and do not use cable gripping clamps.

Line Power Flange Terminators are available in four types of mountings. The 02-2567 Series uses six (6) mounting holes on a 7 - 7/8" diameter circle, the same mountings as all PMG and SFG High Voltage Couplers (except SFG08). The 02-2568 Series mounts like the SFG08 High Voltage Coupler, six (6) holes on an 8 - 5/8" diameter circle. 02-2503 thru 02-2524 Flange Terminators use six (6) holes on a 6 - 1/8" diameter circle. The 02-2566 Series uses four (4) mounting holes in a 4 - 1/4" square pattern as found PG39, 59, 60, 67, 68, 69, 79 and 85 Low Voltage Couplers.

Selection

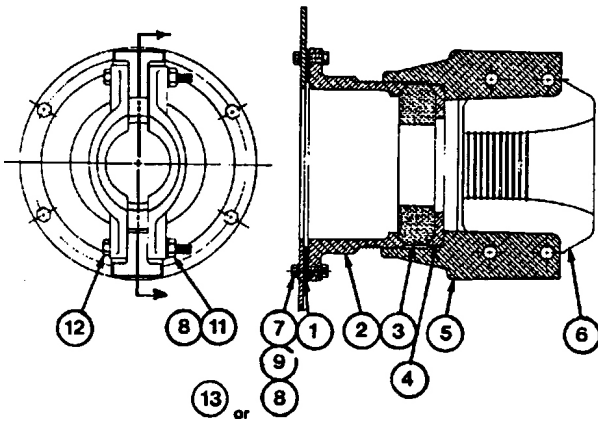
| Flange Terminator Part Number | Cable Range | Item 3 Cable Seal Part Number |
|-------------------------------|-----------------------|-------------------------------|
| 02-2566-01 | .875 - 1.000 | 10-0131 |
| 02-2566-02 | 1.001 - 1.125 | 10-0132 |
| 02-2566-03 | 1.126 - 1.250 | 10-0133 |
| 02-2566-04 | 1.251 - 1.375 | 10-0134 |
| 02-2566-05 | 1.376 - 1.500 | 10-0135 |
| 02-2566-06 | 1.501 - 1.625 | 10-0136 |
| 02-2566-07 | 1.626 - 1.750 | 10-0137 |
| 02-2566-08 | 1.751 - 1.875 | 10-0138 |
| 02-2566-09 | 1.876 - 2.000 | 10-0139 |
| 02-2566-10 | 2.001 - 2.125 | 10-0140 |
| 02-2566-11 | 2.126 - 2.250 | 10-0141 |
| 02-2566-12 | 2.251 - 2.375 | 10-0142 |
| 02-2566-13 | 1/2x1/4 - 5/8x1-1/2 | 10-0127 |
| 02-2566-14 | 5/8x1-1/2 - 3/4x1-3/4 | 10-0128 |
| 02-2566-15 | 3/4x1-3/4 - 7/8x2 | 10-0129 |
| 02-2566-16 | 7/8x2 - 1x2-1/4 | 10-0130 |

| Item Number | Part Number | Description |
|-------------|-------------|-------------------------|
| 1 | 10-0168 | Flange Terminator |
| 2 | 10-0115 | End Fitting |
| 3 | See Chart | Cable Seal |
| 4 | 25-4107 | Cable Clamp |
| 5 | 01-2515 | 5/16-18NC x 1" SHCS |
| 6 | 01-1000 | 3/8-16NC x 2-1/2" HHCS |
| 7 | 01-2250 | 3/8" Lockwasher |
| 8 | 01-2000 | 3/8-16NC Hex Nut |
| 9 | 02-6007 | Rubber Gasket |
| 10 | 01-1014 | 5/16-18NC x 1-3/4" HHCS |
| 11 | 01-2254 | 5/16" Lockwasher |
| 12 | 01-2255 | 5/16" Flatwasher |
| 13 | 01-2003 | 5/16-18NC Hex Nut |



MOUNTING HOLE DIAMETER

| 7-7/8" Part Number | 8-5/8" Part Number | 6-1/8" Part Number | Cable Range | Item 3 Seal Gasket | Item 4 Comp. Ring | Item 6 Cable Clamp |
|-----------------------|-----------------------|-----------------------|-------------------------------|-----------------------|----------------------|-----------------------|
| 02-2567-01 | 02-2568-01 | 02-2503 | 1.15 - 1.30 | 10-0059 | 10-0055 | 10-0046 |
| 02-2567-02 | 02-2568-02 | 02-2504 | 1.31 - 1.45 | 10-0060 | 10-0055 | 10-0046 |
| 02-2567-03 | 02-2568-03 | 02-2505 | 1.46 - 1.60 | 10-0061 | 10-0055 | 10-0047 |
| 02-2567-04 | 02-2568-04 | 02-2506 | 1.61 - 1.75 | 10-0062 | 10-0055 | 10-0047 |
| 02-2567-05 | 02-2568-05 | 02-2507 | 1.76 - 1.90 | 10-0063 | 10-0056 | 10-0048 |
| 02-2567-06 | 02-2568-06 | 02-2508 | 1.91 - 2.10 | 10-0064 | 10-0056 | 10-0049 |
| 02-2567-07 | 02-2568-07 | 02-2509 | 2.11 - 2.30 | 10-0065 | 10-0056 | 10-0050 |
| 02-2567-08 | 02-2568-08 | 02-2510 | 2.31 - 2.50 | 10-0066 | 10-0056 | 10-0050 |
| 02-2567-09 | 02-2568-09 | 02-2511 | 2.51 - 2.70 | 10-0067 | 10-0057 | 10-0051 |
| 02-2567-10 | 02-2568-10 | 02-2512 | 2.71 - 2.90 | 10-0068 | 10-0057 | 10-0052 |
| 02-2567-11 | 02-2568-11 | 02-2513 | 2.91 - 3.10 | 10-0069 | 10-0058 | 10-0053 |
| 02-2567-12 | 02-2568-12 | 02-2514 | 3.11 - 3.30 | 10-0070 | 10-0058 | 10-0053 |
| 02-2567-13 | 02-2568-13 | 02-2515 | 3.31 - 3.50 | 10-0171 | 10-0058 | 10-0054 |
| | | 02-2519 | 1/2 x 1-3/4 x 1-1/2 | 10-0156 | 10-0058 | 10-0162 |
| | | 02-2520 | 3/4 x 1-1/2 x 1 x 2 | 10-0157 | 10-0056 | 10-0163 |
| | | 02-2521 | 1 x 2 1/4 x 2-1/2 | 10-0158 | 10-0056 | 10-0166 |
| | | 02-2522 | 5/8 x 1-3/4 7/8 x 2-1/4 | 10-0159 | 10-0056 | 10-0164 |
| | | 02-2523 | 1-18 x 2-3/4 1-1/8 x 2-3/4 | 10-0160 | 10-0057 | 10-0165 |
| | | 02-2524 | 1-3/8 x 3-1/4 | 10-0161 | 10-0058 | 10-0167 |



Other Line Power Products

- Substations
- Power Centers
- Rectifiers
- Starters
- Switchhouses
- Motor Test Centers
- Vacuum Circuit Breakers
- High Voltage Switches
- High Voltage Couplers
- Transformers
- Low Voltage Couplers
- Ground Monitors
- Bolted Pressure Switches
- Grounding Resistors

MOUNTING HOLE DIAMETER

| Item Number | 7-7/8" ° ■ Part Number | 8-5/8" Part Number | 6-1/8" Part Number | Description |
|-------------|---------------------------|-----------------------|-----------------------|------------------------|
| 1 | 20-0260 | 20-0393 | 20-6006 | Gasket |
| 2 | 10-0494-01 | 10-0494-02 | 10-0108 | Flange |
| 3 | See Chart | See Chart | See Chart | Seal Gasket |
| 4 | See Chart | See Chart | See Chart | Compression Ring |
| 5 | 10-0045 | 10-0045 | 10-0045 | End Casting |
| 6 | See Chart | See Chart | See Chart | Cable Clamp |
| 7 | | | 01-1013 | 3/8-16NC x 1-1/2" HHCS |
| 8 | 01-1016 | 01-1016 | | 1/4-20 x 1-1/2" HHCS |
| 9 | 01-2250 | 01-2250 | 01-2250 | 3/8" Lockwasher |
| 10 | | | 01-2253 | 3/8" Flatwasher |
| 11 | 01-2252 | 01-2252 | | 1/4" Flatwasher |
| 12 | 01-2000 | 01-2000 | 01-2000 | 3/8-16" Hex Nut |
| 13 | 01-1000 | 01-1000 | 01-1000 | 3/8-16 x 2-1/2" HHCS |
| 14 | 01-2251* | 01-2251* | | 1/4" Lockwasher |
| | 01-2001* | 01-2001* | | 1/4" Hex Nut |

* Replaces Items (8) and (11) at switchgear.

■ For use with all PMG and all SFG *(except Series 08) Coupler mounting holes.

° For use with SFG Series (08) Coupler mounting holes only.

Note: Specifications subject to change without notice.

LPMS-FT-09/03

