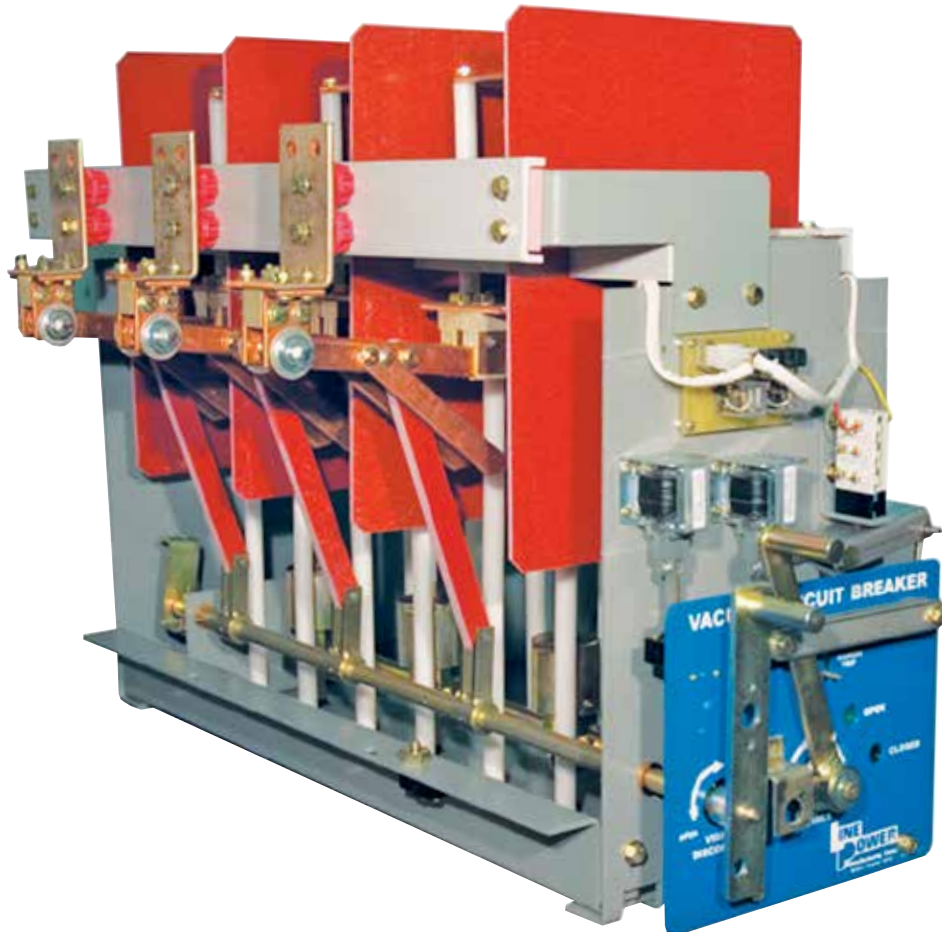


---

# 15.5 kV 1200 Amp Vacuum Circuit Breaker

---

General  
Information  
Specifications



## **Application**

Line Power Manufacturing's Vacuum Circuit Breaker, 3-phase, 15.5 kV power interrupting device, is designed to provide protection for all types of electric feed circuits within its ratings.

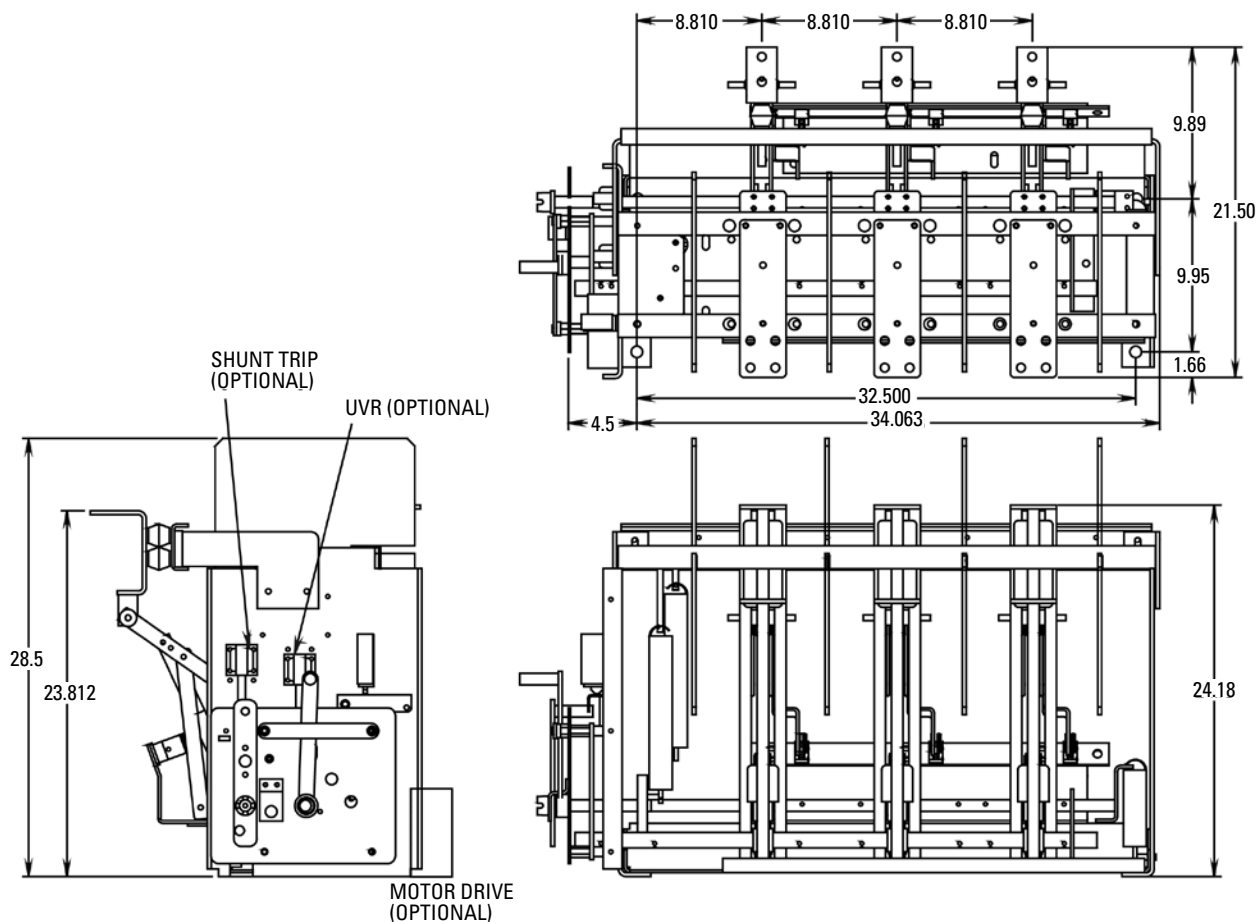
## **Ratings (1200 Amp Model)**

Continuous Current .....	1200 Amperes
Maximum Voltage .....	15.5 kV
Symmetrical Interrupting Capacity .....	18,000 Amperes
Lightning Impulse Withstand (BIL) .....	95 kV
Switching Current.....	1200A

## **Features**

- Mechanically interlocked visible disconnect.
- Independent bottle wear indicators.
- Each bottle assembly can be independently adjusted for proper contact pressure to insure that adequate interrupting capacities are met.
- Optional Accessories
  - Load side grounding of visible disconnect
  - Non-isolated
  - Isolated
  - Shunt Trip
  - Undervoltage release
  - Motor operation
  - Key interlocks

# 15.5kV, 1200 Amp Vacuum Circuit Breaker with Visible Disconnect and Grounding Profile



## SELECTION CHART

DESCRIPTION	PART NO.	20-2115-01	20-2115-02	20-2115-03	20-2115-04	20-2115-05	20-2115-06	20-2115-16	20-2115-17	20-2115-18	20-2115-19	20-2115-20	20-2115-21	20-2115-22	20-2115-23	20-2115-24	20-2115-34	20-2115-35	20-2115-36
BASIC		X	X	X	X	X	X	X	X	X	X	X	X	X	X	X	X	X	X
VISIBLE DISCONNECT		X	X	X	X	X	X	X	X	X	X	X	X	X	X	X	X	X	X
MOTOR DRIVE																			
NONE		X	X	X	X	X	X	X	X										
120V											X	X	X	X	X	X	X	X	X
SHUNT TRIP																			
NONE		X	X	X							X	X	X						
48Vdc - 175Vdc, 120Vac					X	X	X							X	X	X			
CAP TRIP (120Vdc - 375Vdc) *								X	X	X							X	X	X
UNDERVOLTAGE																			
NONE		X			X			X			X			X			X		
120 VAC			X			X			X			X			X			X	
240 VAC				X			X			X			X			X			X
SUFFIX LETTERS																			
G		OUTPUT GROUNDING (NON-ISOLATED)																	
IG		OUTPUT GROUNDING (ISOLATED)																	
K		KIRKLOCK PROVISION																	
KK		2 KEY KIRKLOCK PROVISION																	

\*A series of two auxiliary contacts are recommended for tripping with dc voltage over 170Vdc.



LPMS-15kV1200-10/08

329 Williams Street • Bristol, VA 24201 • Phone (276) 466-8200 • Fax (276) 645-8887 • www.linepower.com  
ISO9001 Registered • © 2014 Electro-Mechanical Corporation

