

Ground Fault Relay GT-137

Product
Data
Sheet

Electrical Components are Protected by the Design of the Enclosure Easy to Read, Easy to Operate Front Panel

Application

This Line Power Manufacturing Ground Fault Relay is a compact and rugged ground fault relay designed for the harsh environment of underground mining. Referred to as GT-137, this unit has become the standard in ground fault relays for the mining industry.

In conjunction with its current transformer, a primary current injection, push-to-test ground fault is standard. This test, or an actual ground fault, will result in the trip of the manual reset breaker located on the ground fault relay and the trip of the associated output breaker, if closed. The manual reset breaker must be in a non-tripped position before the output breaker can close.

Specifications

The Line Power Manufacturing GT-137 Ground Fault Relay is factory set at 5 amps, instantaneous, requires no field adjustment, and is designed for undervoltage or shunt trip applications.

Control Power: 115VAC, +/- 15% Continuous

Operating Temperature: +10° F to +120° F

Features

The GT-137 Ground Fault Relay requires the use of one of the following types of current transformers (see reverse side):

95-0060 - Window-type current transformer. Maximum of 3 #2/0 cables; No mounting feet.

95-0060-01 - Window-type current transformer. Maximum of 3 #2/0 cables; For cable smaller than #1; Use with mounting feet.

Inside window diameter for either 95-0060 or 95-0060-01: 1.5 inches.



Part Number 17-0137

95-0069 - Window-type current transformer. For three single #4/0 cables; No mounting feet.

95-0069-01 - Window-type current transformer. For dual #2/0 cable; With mounting feet.

Inside window diameter for 95-0069 or 95-0069-01: 2.0 inches.

95-0061-01 - Window-type current transformer for high current circuits when dual cable per phase is required.

Inside window diameter for 95-0061 or 95-0061-01: 3.375 inches.



Ground Fault Relay GT-137

Typical Current Transformers

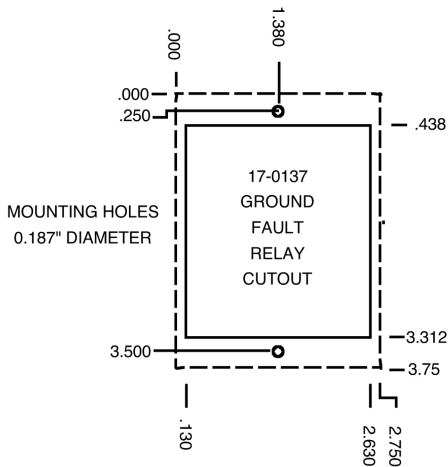


Part Number 95-0061-01

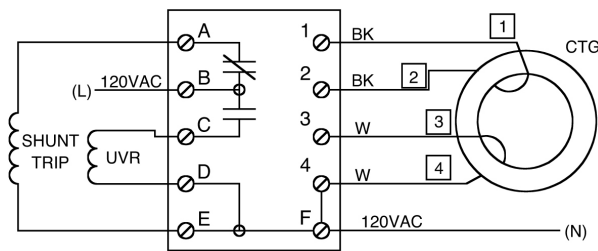


Part Number 95-0060

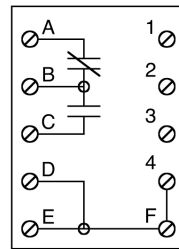
Mounting Profile



FIELD CONNECTIONS



REAR PANEL



4.75 INCHES
(PROJECTION BEHIND PANEL)

GT-137: The Standard Ground Fault Relay for the Mining Industry.

Manufacturer reserves the right to make changes or modifications without notification.

LPMS-GT137-0903

