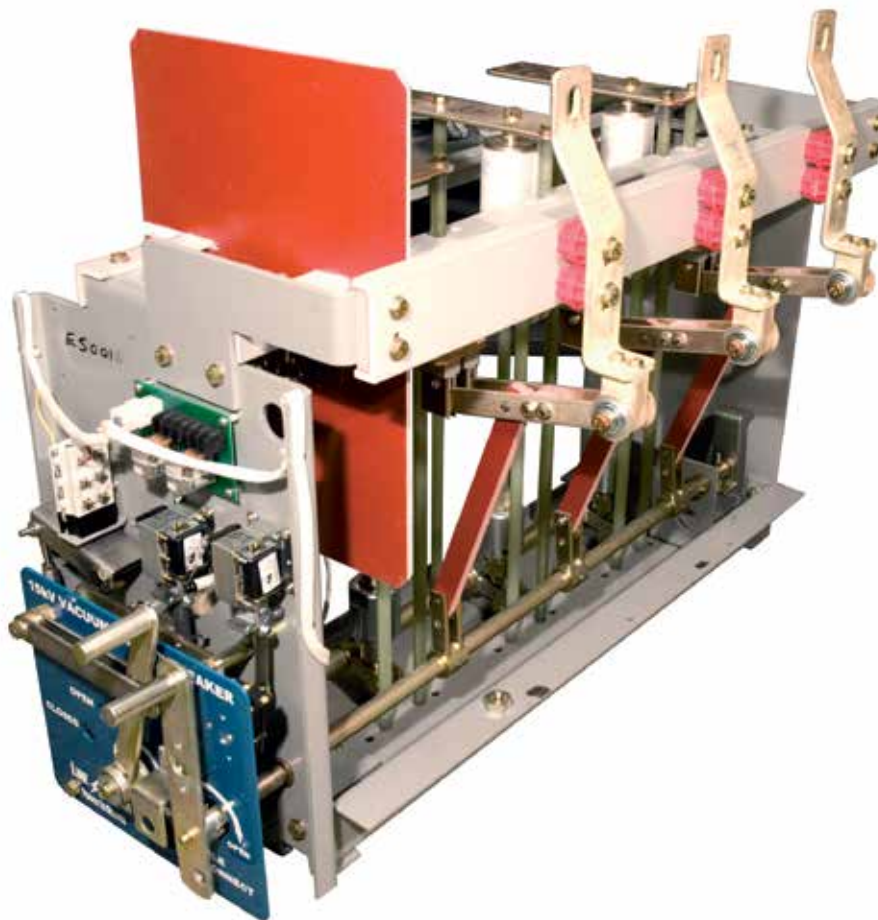


15.5 kV 600 Amp Vacuum Circuit Breaker (left hand version)

General
Information
Specifications



Application

Line Power Manufacturing's Vacuum Circuit Breaker, 3-phase, 15.5 kV power interrupting device, is designed to provide protection for all types of electric feed circuits within its ratings.

Ratings (600 Amp Model)

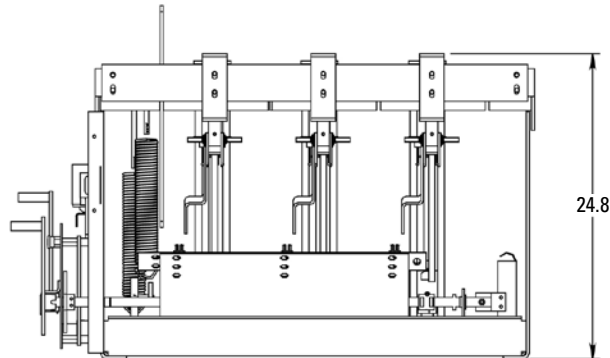
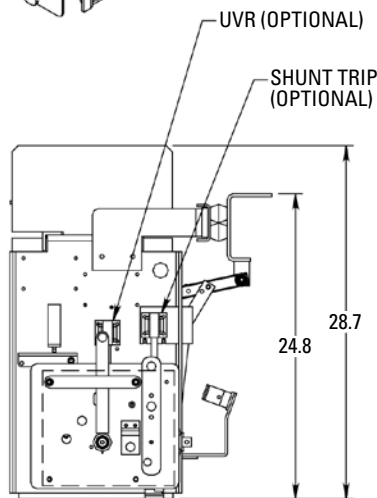
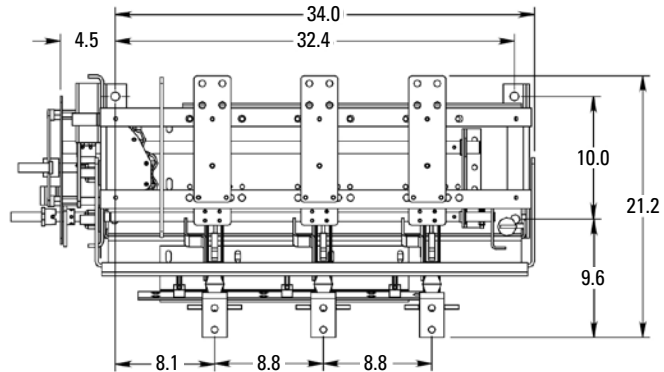
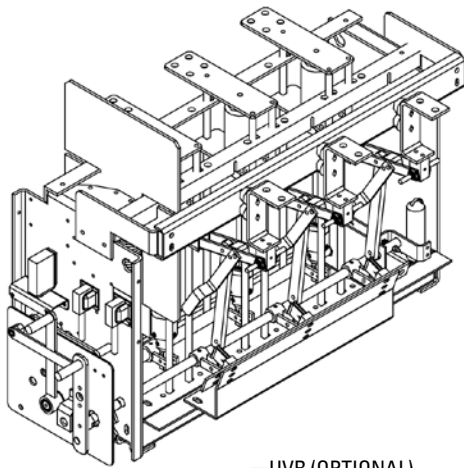
Continuous Current	600 Amperes*
Maximum Voltage	15.5 kV
Symmetrical Interrupting Capacity	12,500 Amperes per IEEE Std. C37.60
Lightning Impulse Withstand (BIL)	95 kV
Switching Current.....	630Amps, per IEEE Std. C37.60

* Consult factory for 630 amp applications.

Features

- Mechanically interlocked visible disconnect.
- Independent bottle wear indicators.
- Each bottle assembly can be independently adjusted for proper contact pressure to insure that adequate interrupting capacities are met.
- Optional Accessories
 - Load side grounding of visible disconnect
 - Non-isolated
 - Isolated
 - Shunt Trip
 - Undervoltage release
 - Motor operation
 - Key interlocks

15.5kV, 600 Amp Vacuum Circuit Breaker (left hand version) With Visible Disconnect and Grounding Profile



SELECTION CHART

	PART NO.	20-2116LS-01	20-2116LS-02	20-2116LS-03	20-2116LS-04	20-2116LS-05	20-2116LS-06	20-2116LS-16	20-2116LS-17	20-2116LS-18	20-2116LS-19	20-2116LS-20	20-2116LS-21	20-2116LS-22	20-2116LS-23	20-2116LS-24	20-2116LS-34	20-2116LS-35	20-2116LS-36
DESCRIPTION																			
BASIC		X	X	X	X	X	X	X	X	X	X	X	X	X	X	X	X	X	X
VISIBLE DISCONNECT		X	X	X	X	X	X	X	X	X	X	X	X	X	X	X	X	X	X
MOTOR DRIVE																			
NONE		X	X	X	X	X	X	X	X	X									
120V											X	X	X	X	X	X	X	X	X
SHUNT TRIP																			
NONE		X	X	X							X	X	X						
48Vdc - 175Vdc, 120Vac					X	X	X							X	X	X			
CAP TRIP (120-375Vdc)*								X	X	X							X	X	X
UNDERVOLTAGE																			
NONE		X			X			X			X			X			X		
120 VAC			X			X			X			X			X			X	
240 VAC				X			X			X			X			X			X
SUFFIX LETTERS																			
G		Output Grounding (Non-Isolated)																	
IG		Output Grounding (Isolated)																	
K		Kirklock Provision																	
KK		2 Key Kirklock Provision																	

Drawing is based on Vacuum Breaker part number 20-2116LS-05.

*A series of two auxiliary contacts are recommended for tripping with DC voltage over 170VDC.

