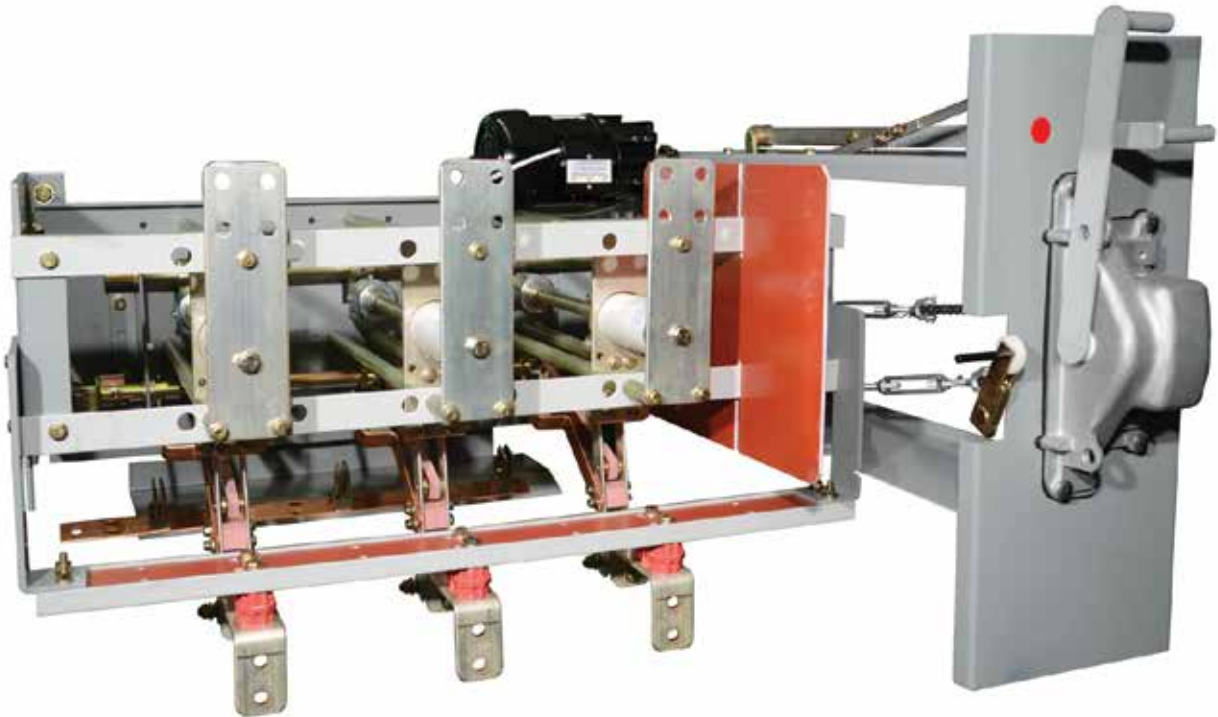


---

# 15.5 kV 600 Amp Front Operated Vacuum Circuit Breaker

---

General  
Information  
Specifications



## Application

Line Power Manufacturing's Vacuum Circuit Breaker, 3-phase, 15.5 kV power interrupting device, is designed to provide protection for all types of electric feed circuits within its ratings.

## Ratings (600 Amp Model)

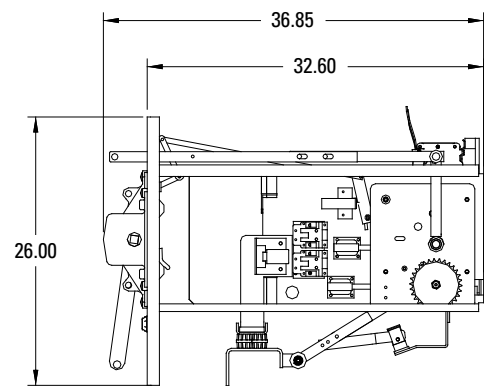
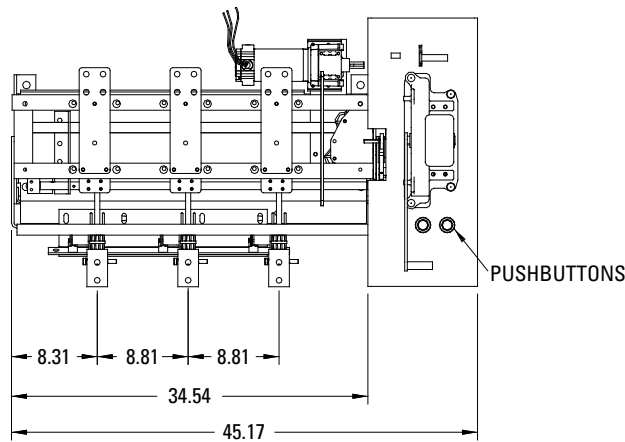
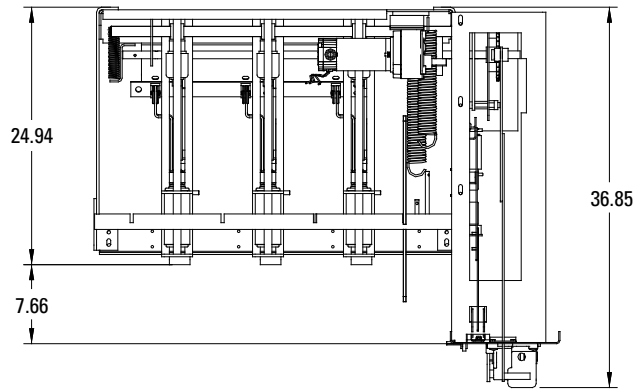
Continuous Current .....	600 Amperes*
Maximum Voltage .....	15.5 kV
Symmetrical Interrupting Capacity .....	12,500 Amperes per IEEE Std. C37.60
Lightning Impulse Withstand (BIL) .....	95 kV
Switching Current .....	630Amps, per IEEE Std. C37.60

## Features

- Integral operator handle for front operation.
- Mechanically interlocked visible disconnect.
- Independent bottle wear indicators.
- Each bottle assembly can be independently adjusted for proper contact pressure to insure that adequate interrupting capacities are met.
- Optional Accessories
  - Load side grounding of visible disconnect
  - Non-isolated
  - Isolated
  - Shunt Trip
  - Undervoltage release
  - Motor operation
  - Key interlocks

\* Consult factory for 630 amp applications.

# 15.5kV, 600 Amp Vacuum Circuit Breaker with Visible Disconnect and Grounding Profile



## SELECTION CHART

DESCRIPTION	PART NO.	20-2121-01	20-2121-02	20-2121-03	20-2121-04	20-2121-05	20-2121-06	20-2121-16	20-2121-17	20-2121-18	20-2121-19	20-2121-20	20-2121-21	20-2121-22	20-2121-23	20-2121-24	20-2121-34	20-2121-35	20-2121-36	20-2121-37	20-2121-38	20-2121-39	20-2121-40	20-2121-41	20-2121-42	20-2121-43	20-2121-44	20-2121-45	
Basic		X	X	X	X	X	X	X	X	X	X	X	X	X	X	X	X	X	X	X	X	X	X	X	X	X	X	X	
Visible Disconnect		X	X	X	X	X	X	X	X	X	X	X	X	X	X	X	X	X	X	X	X	X	X	X	X	X	X	X	
Motor Drive																													
None		X	X	X	X	X	X	X	X	X																			
120Vac											X	X	X	X	X	X	X	X											
125Vdc																				X	X	X	X	X	X	X	X	X	
Shunt Trip																													
None		X	X	X							X	X	X							X	X	X							
48Vdc - 175Vdc, 120Vac					X	X	X							X	X	X							X	X	X				
Cap Trip (120-375Vdc)*								X	X	X							X	X	X							X	X	X	
Undervoltage																													
None		X			X			X			X			X			X			X			X			X			
120 VAC			X			X			X			X			X		X			X			X			X			
240 VAC				X			X			X			X			X			X			X			X			X	
Suffix Letters																													
G		Output Grounding (Non-Isolated)																											
IG		Output Grounding (Isolated)																											
P		Push Buttons for Open and Close (Available only on motor drive units)																											

Drawing is based on Vacuum Breaker part number 20-2121-19IGP.

\*A series of two auxiliary contacts are recommended for tripping with DC voltage over 170VDC.



LPMS-FOVCB-01/12

