

# 5kV, 15kV and 27kV, 600 Amp Auto-Jet® II Mining Duty Air Break Switch

General Information Specifications

## Application

Line Power Manufacturing's 3-phase, 5kV, 15kV and 27kV Auto-jet®II Air Break Switch, is designed to provide load break switching and visible isolation for all types of electric circuits within its ratings.

## Ratings

Continuous Current .....	600 Amperes
Voltage .....	5kV, 15kV, 27kV
Momentary and Fault Close.....	40kA Asym
Lightning Impulse Withstand (BIL) .....	60 kV (5kV Switch) 95 kV (15kV Switch) 125kV (27kV Switch)
Manual Operations .....	1,000 +
Transformer Magnetizing .....	21 Amps

## Features

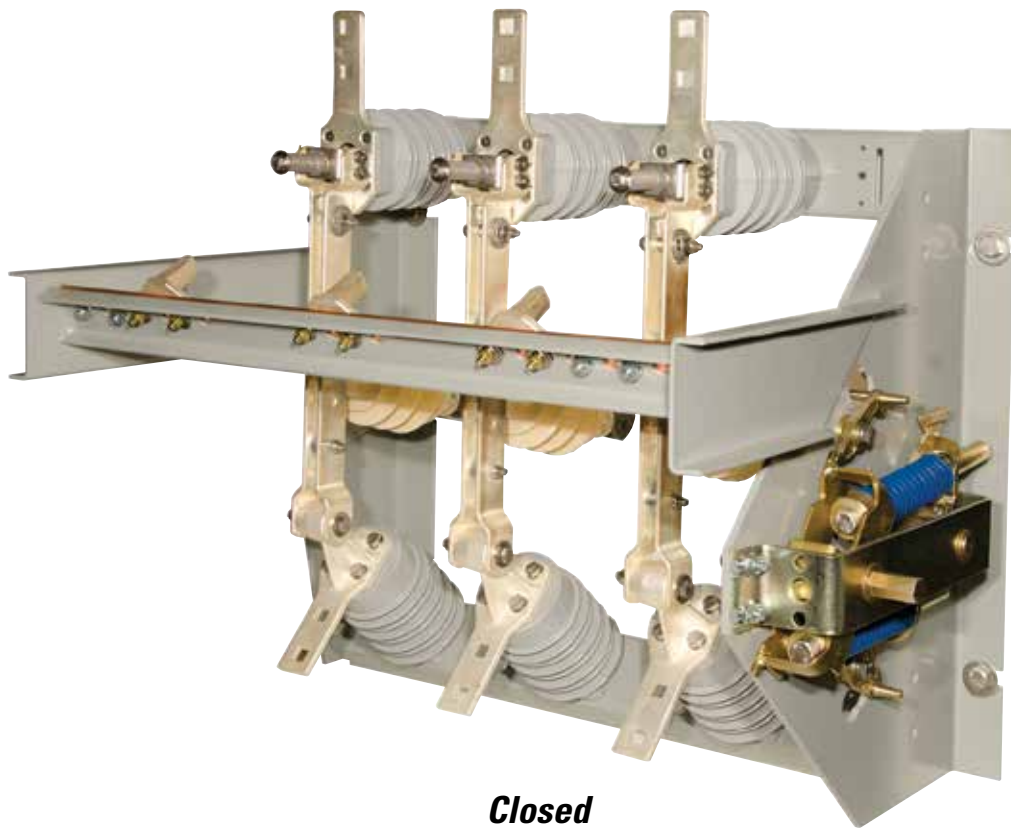
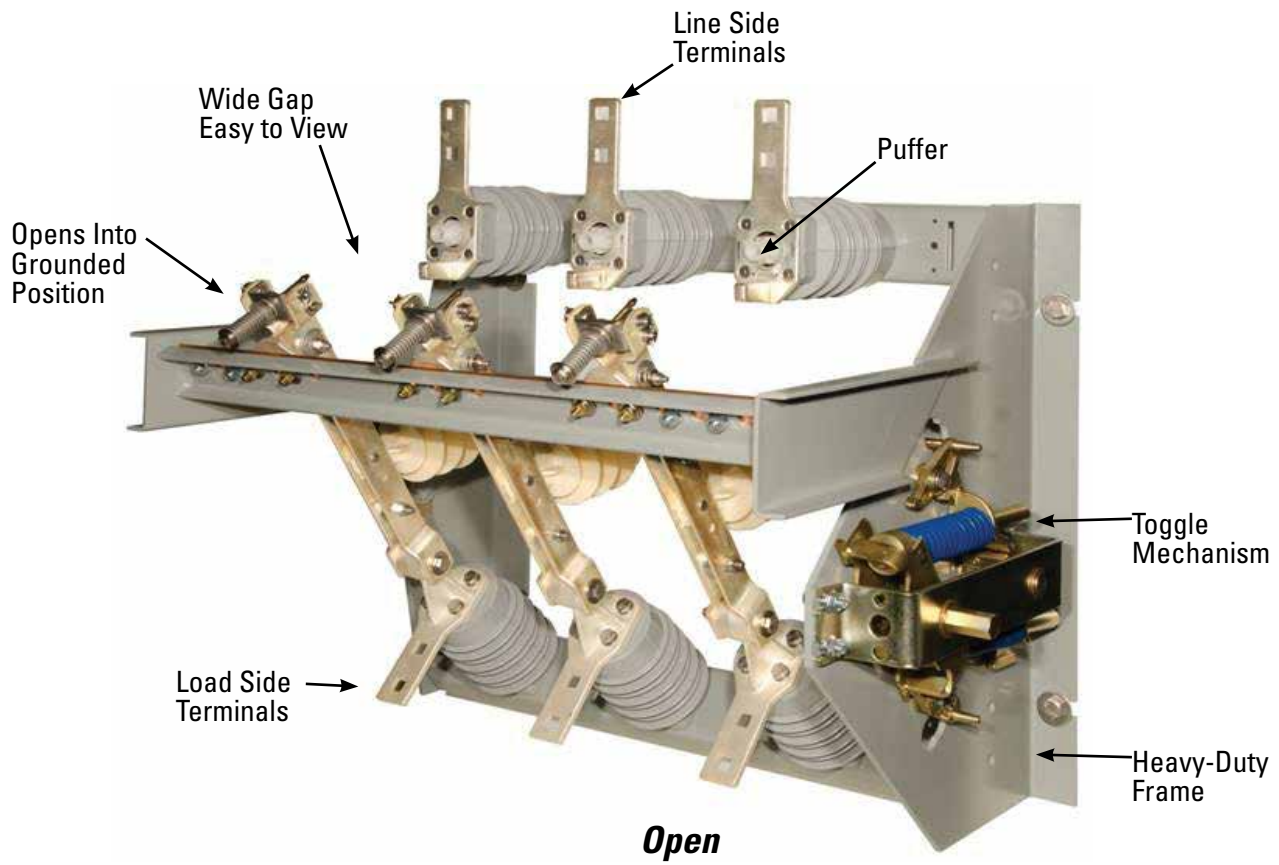
- Quick-Make and Quick Break Independent of Operator Handle Speed
- Reliable Switch
  - Widely Used in Mining
  - Simple and Effective Mechanism
- Automatic Load Side Grounding of visible disconnect
- Optional Accessories (Consult Factory)
  - Shunt Trip
  - Auxilary Contacts
  - Key interlocks

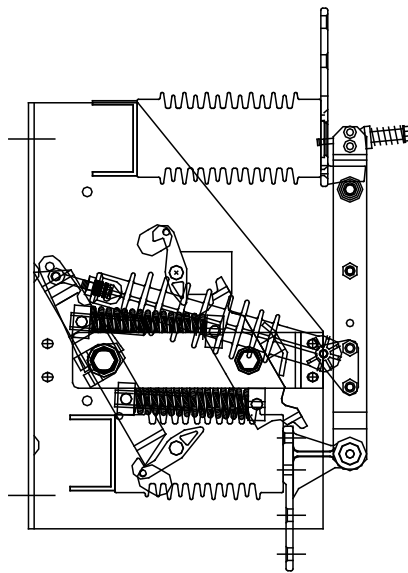
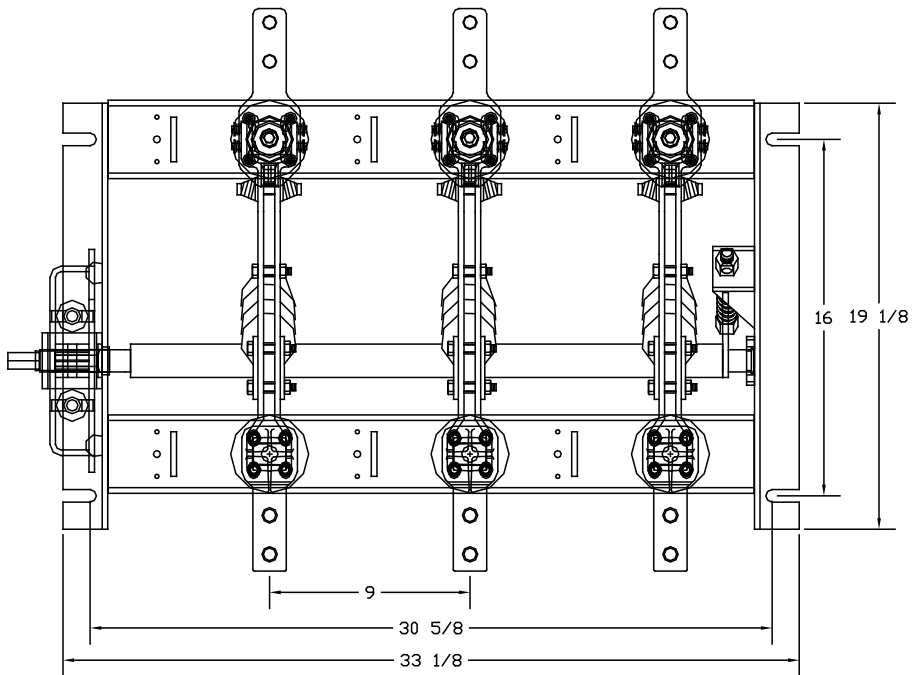
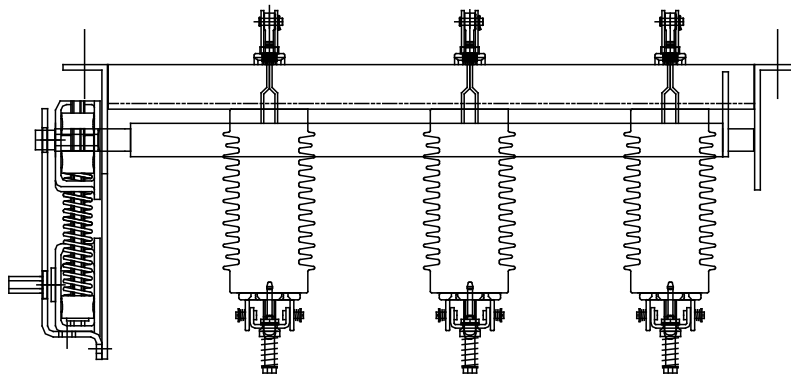
## Ordering Information

Voltage Class	Left or Right Hand	Part Number
5kV	RH	0042-4-53152
5kV	LH	0042-4-53154
15kV	RH	0042-4-53152 and 20-3043-1
15kV	LH	0042-4-53154 and 20-3043-1
27kV	RH	0038-4-53152-01
27kV	LH	0039-4-53152-01

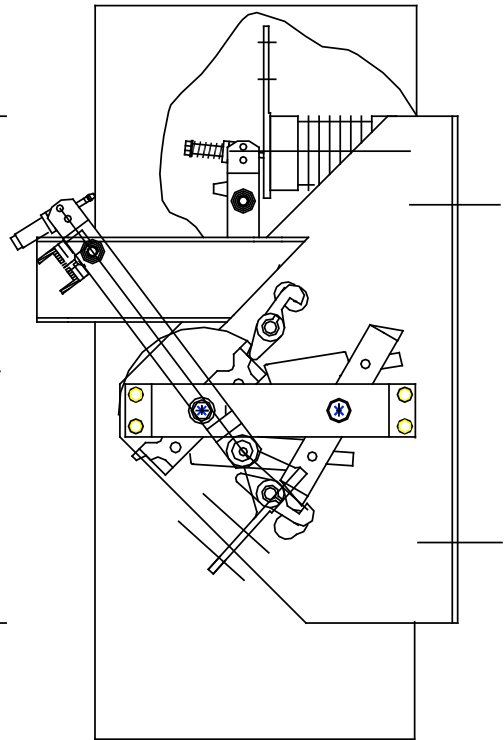
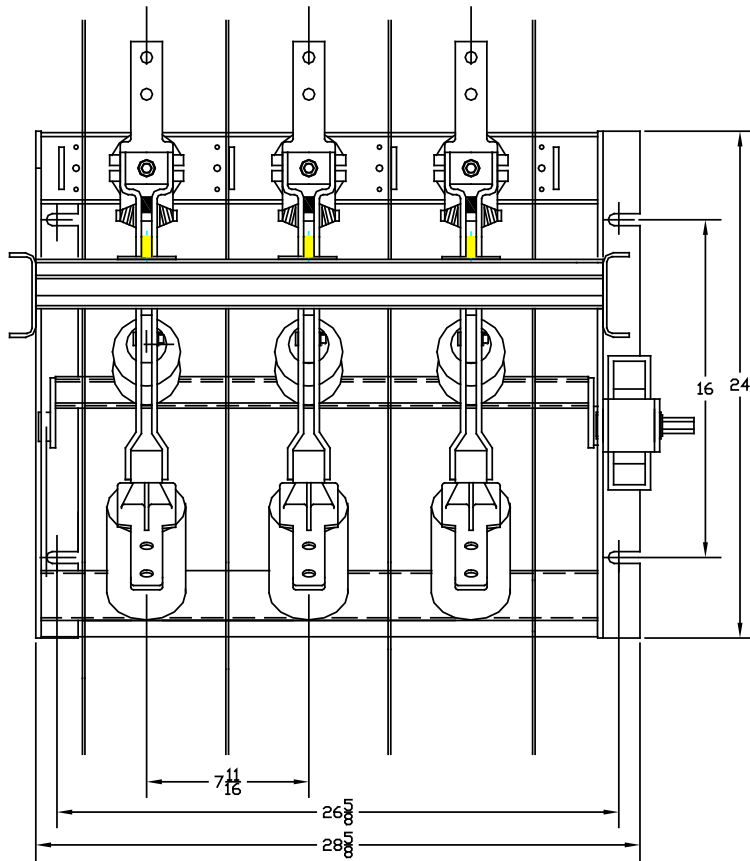
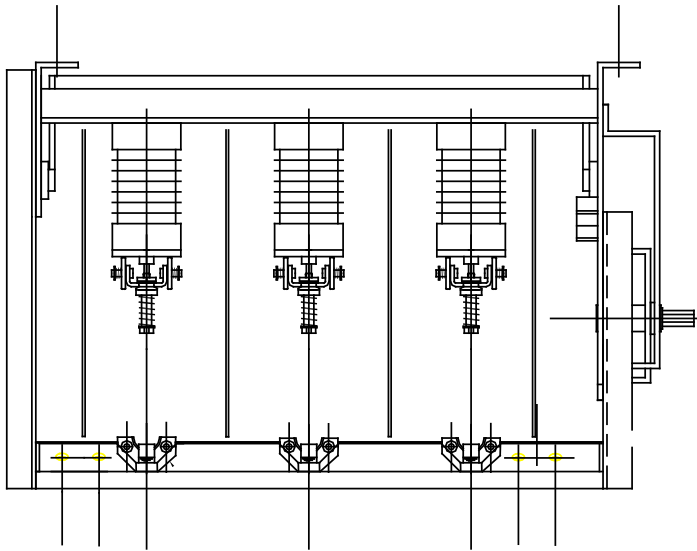
### Misc. Parts:

Lever Arm 20-4188  
Handle Extension 20-0165





**27kV Left Hand Switch**



**15kV Right Hand Switch**



LPMS-miningdutyairbreak-08/12

329 Williams Street • Bristol, VA 24201 • Phone (276) 466-8200 • Fax (276) 645-8887 • www.linepower.com  
 ISO9001 Registered • © 2014 Electro-Mechanical Corporation

