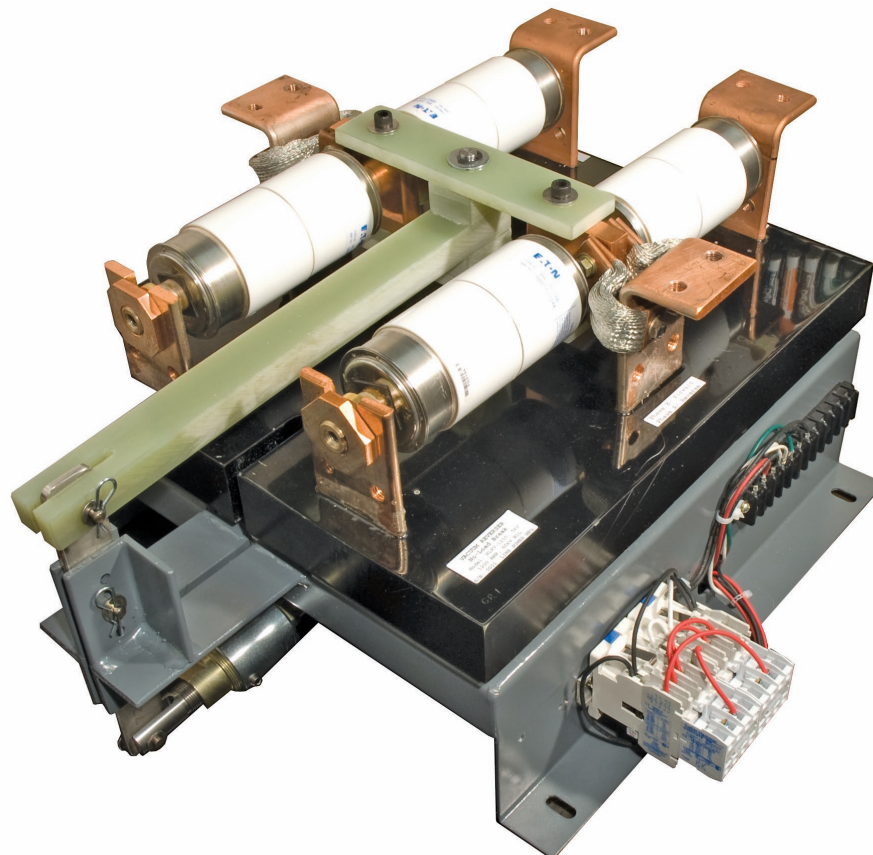


7.2kV I200 Amp No-Load Vacuum Reversing Switch

General
Information
Specifications



Application

Line Power Manufacturing's No-Load Vacuum Reverser is designed to switch two deenergized phases of a 7.2kV circuit. The most common application is to change the direction of motor rotation.

Ratings

Continuous Current	1200 Amperes
Maximum Voltage	7.2 kV
Lightning Impulse Withstand (BIL)	60 kV
Maximum Operations Before Adjustment	6000 Full Cycles
Transfer Speed.....	Less than 2 seconds
Continuous Transition Rate*.....	1 Full cycle/min
Withstand Current.....	12,500 Amps

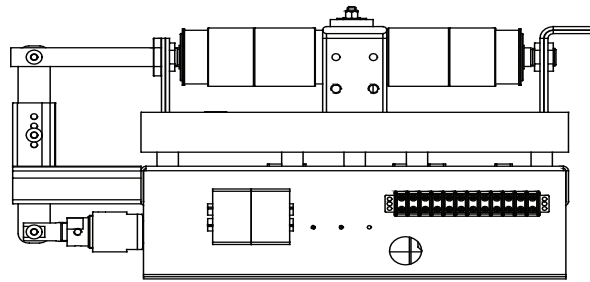
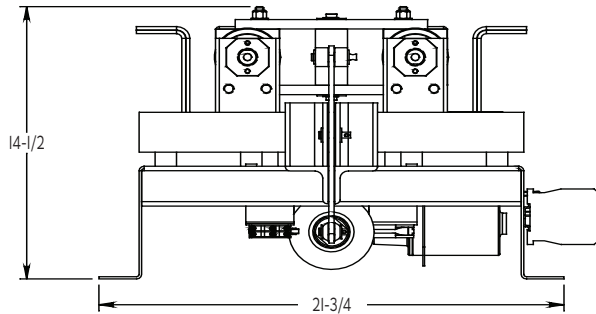
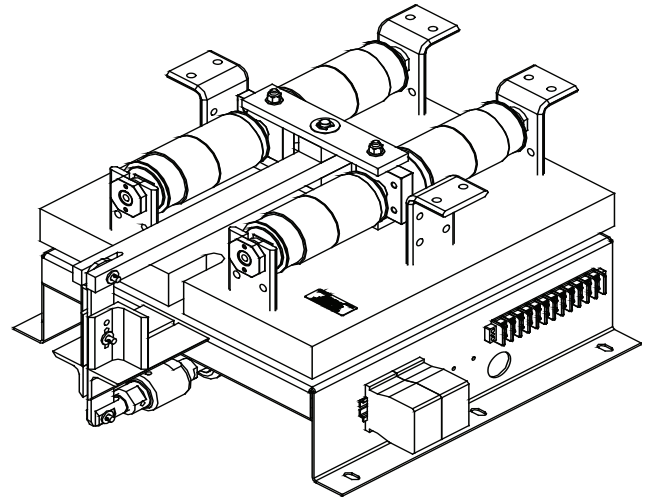
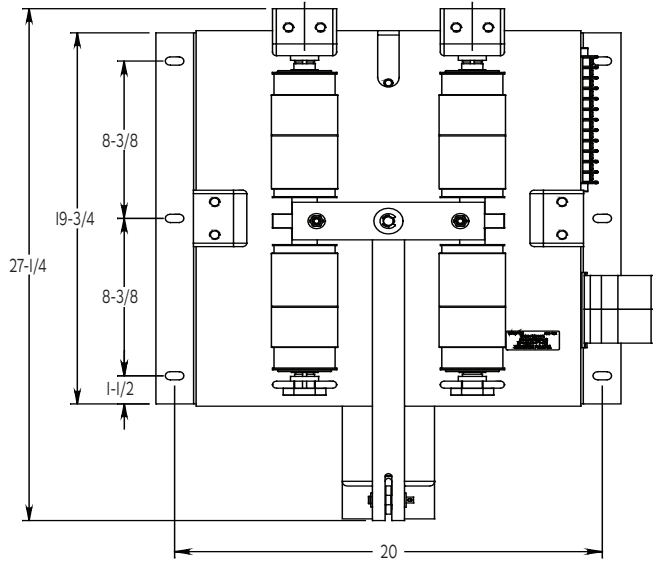
***Intermittent duty of 1/2 cycle every 3 seconds**

****Consult factory for other control voltages.**

Features

- The most secure interlocking possible. The same motion opens and closes a fixed assembly of four (4) vacuum bottles
- Wear indicators are standard for vacuum bottles
- 120V control power**
- Forward or reverse transition is accomplished with a momentary contact closure.

7.2kV, 1200 Amp No-Load Reversing Switch



Model: NLVR-I200

Part Number: 44-7031

