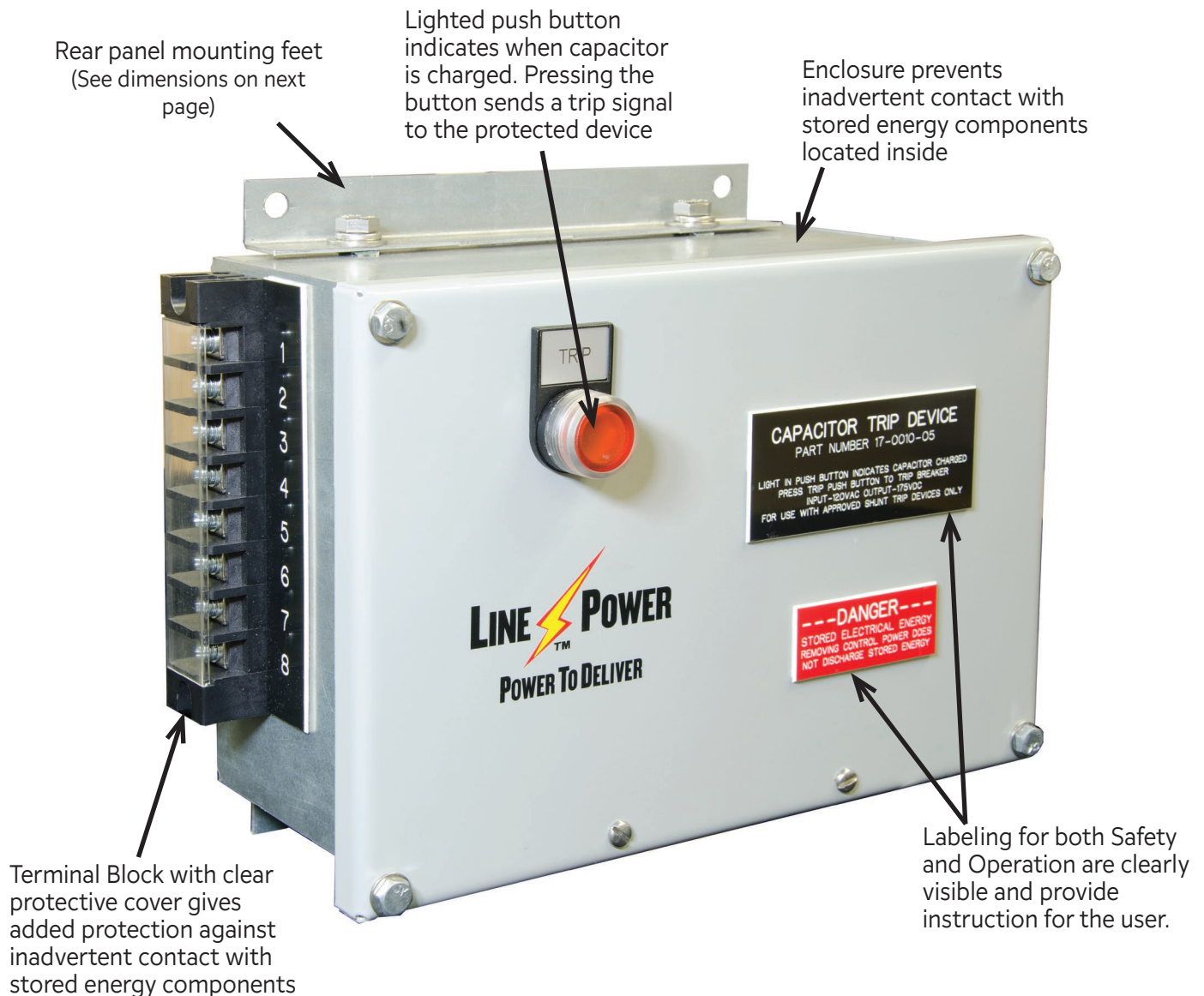


Enclosed Capacitor Trip Device

Product
Data
Sheet

Application

The Line Power Manufacturing Capacitor Trip Device (CTD) provides a source of energy used for tripping a shunt trip switch or circuit breaker during the loss of AC control voltage.



Enclosed Capacitor Trip Device (CTD)

Electrical Specifications

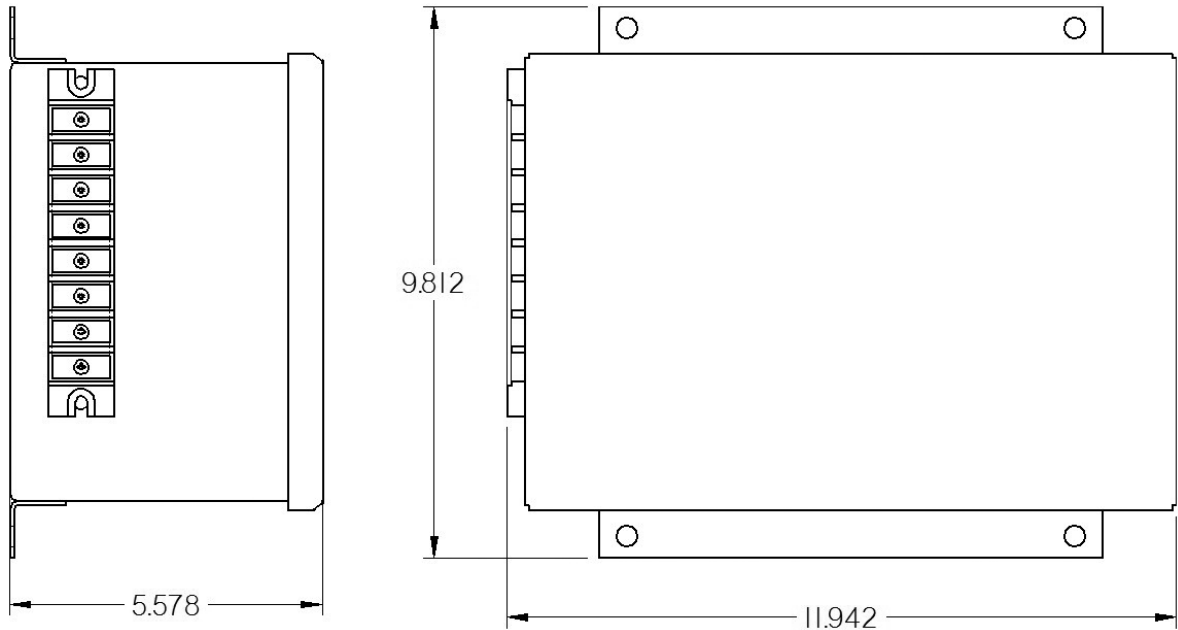
Input Voltage: 120 VAC

Output Voltage: 250 VDC

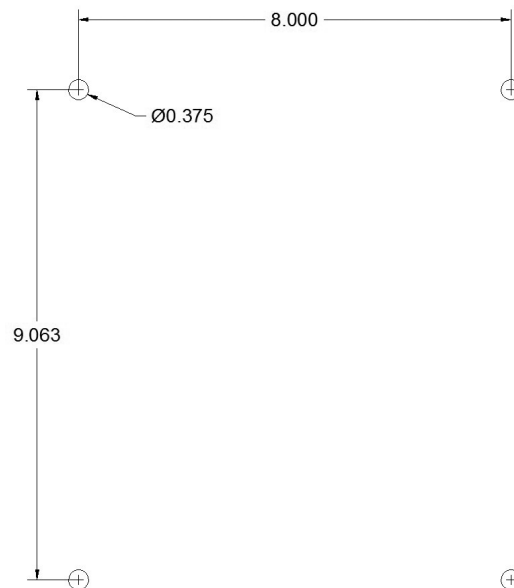
Trip Contacts: 10A at 240VAC Resistive

Mechanical Specifications

Dimensions:



Hole-Pattern for Rear Panel Mounting



Manufacturer reserves the right to make changes or modifications without notification.

LPMS-CTD-08/17

