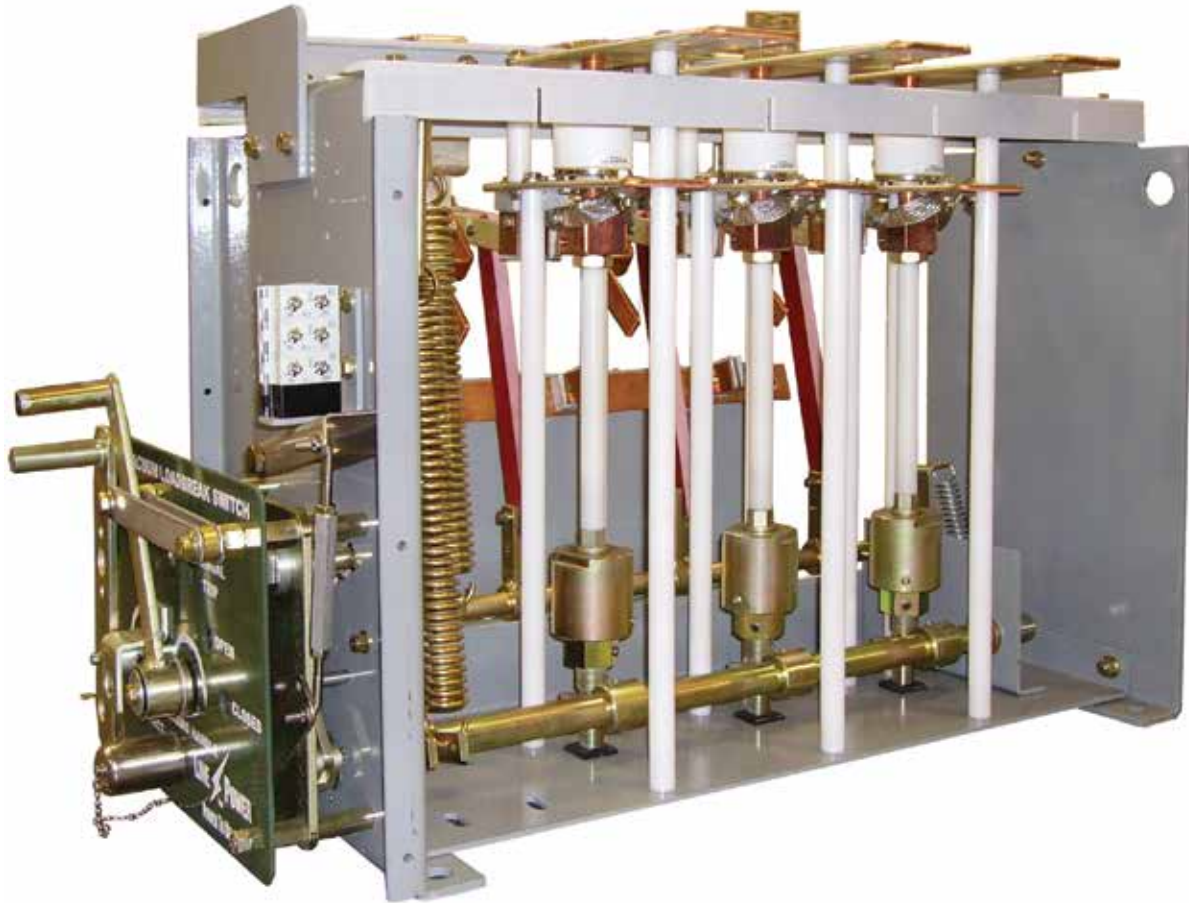

Vacuum Loadbreak Switch

with Visible Disconnect and Grounding Feature

***Product
Data
Sheet***



Application

Line Power Manufacturing's Vacuum Loadbreak Switch is designed for rugged-duty, mining applications. The low profile, compact design makes this switch well suited for mine applications.

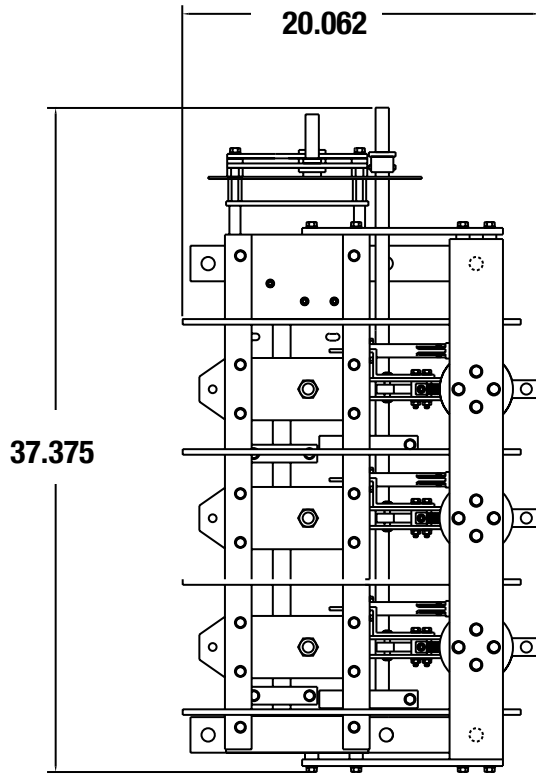
Ratings

Continuous Current..... 600 Amperes
Maximum Voltage 15 kV
Symmetrical Interrupting Current..... 2000 Amperes
Lightning Impulse Withstand (BIL)..... 60 kV
Switch Current..... 600 Amperes

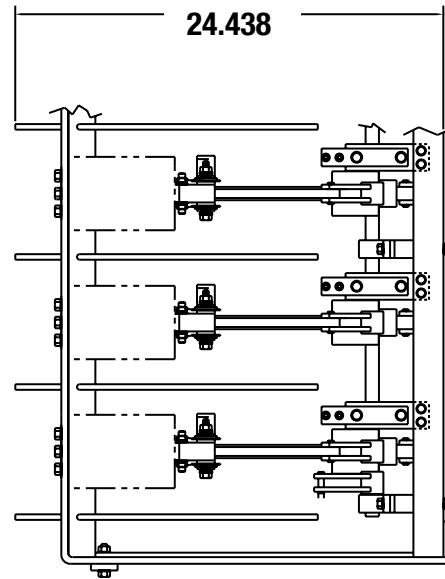
Features

- Each bottle assembly can be independently adjusted for proper contact pressure to insure that adequate interrupting capacities are met.
- Visible disconnect switch grounds the output terminals when in the fully-opened position.
- Switch can be tripped manually, or through an optional shunt trip and/or undervoltage release.
- Optional electrical closing and auxiliary switches are available.

Switch Mounting Profile



Top View



Partial Side View

SELECTION CHART

DESCRIPTION	PART NO.	20-2112-01	20-2112-02	20-2112-03	20-2112-04	20-2112-05	20-2112-06	20-2112-16	20-2112-17	20-2112-18	20-2112-19	20-2112-20	20-2112-21	20-2112-22	20-2112-23	20-2112-24	20-2112-34	20-2112-35	20-2112-36
BASIC		X	X	X	X	X	X	X	X	X	X	X	X	X	X	X	X	X	X
VISIBLE DISCONNECT		X	X	X	X	X	X	X	X	X	X	X	X	X	X	X	X	X	X
MOTOR DRIVE																			
NONE		X	X	X	X	X	X	X	X										
120V											X	X	X	X	X	X	X	X	X
SHUNT TRIP																			
NONE		X	X	X							X	X	X						
48Vdc - 175Vdc					X	X	X							X	X	X			
CAP TRIP (120Vdc-375Vdc)*								X	X	X							X	X	X
UNDERVOLTAGE																			
NONE		X			X		X				X			X			X		
120 VAC			X			X			X			X			X			X	
240 VAC				X			X			X			X			X			X
SUFFIX LETTERS																			
G		OUTPUT GROUNDING (NON-ISOLATED)																	
IG		OUTPUT GROUNDING (ISOLATED)																	
K		KIRKLOCK PROVISION																	
KK		2 KEY KIRKLOCK PROVISION																	

*A series of two auxiliary contacts are recommended for tripping with dc voltage over 175Vdc.



LPMS-VLBS-10/08

329 Williams Street • Bristol, VA 24201 • Phone (276) 466-8200 • Fax (276) 645-8887 • www.linepower.com
ISO9001 Registered • © 2014 Electro-Mechanical Corporation

