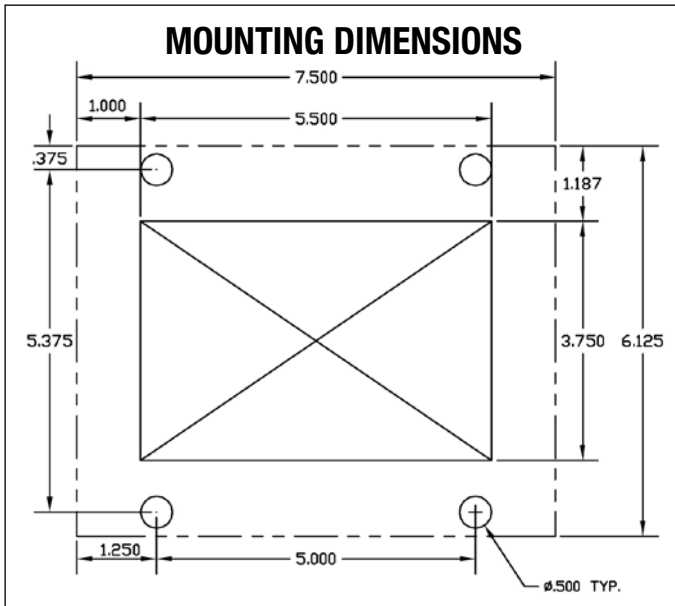


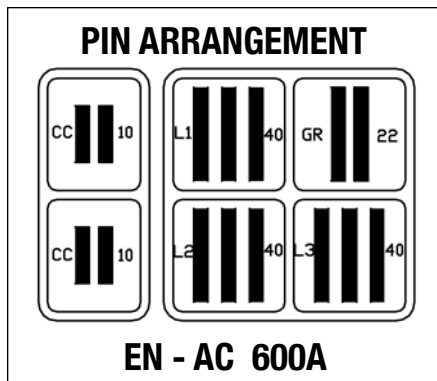
Line Power Low Voltage Couplers - The Mining Industry Standard for Couplers

Product
Data
Sheet

64-Series Coupler with Sliding Cover 600 Amp - 600 Volt - AC Application



64-Series Receptacle



Application

Suitable for cable with 3 power wires, ground and ground check.
For cable sizes up to 500 MCM Round and 1/0 Flat, Types W, G and G-GC.

Receptacle Part Numbers

LP Part Number	Application	Dust Cap
RG40DFC64D	Gear Mounted Receptacle (Output)	Integral



Plugs



64-Series Plug



Sliding Covers and Large Terminating Compartments Make Cable Installation and Inspection Convenient.

Application

Suitable for cable with 3 power wires, ground and ground check.

For cable sizes up to 500 MCM Round and 1/0 Flat, Types W, G and G-GC.

Overall dimensions: 7" h x 7.5" w x 20" l.

Plug Part Numbers

LP Part Number	Application	Dust Cap
PL40DFC64S	Line Mounted Plug (Output and Line Splice)	10-6100

