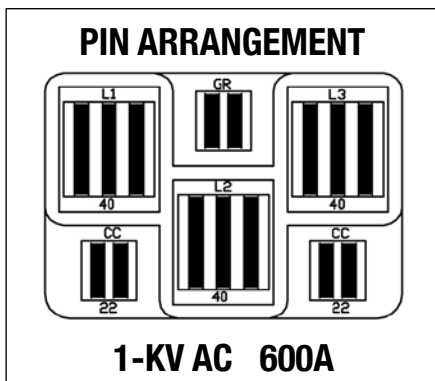
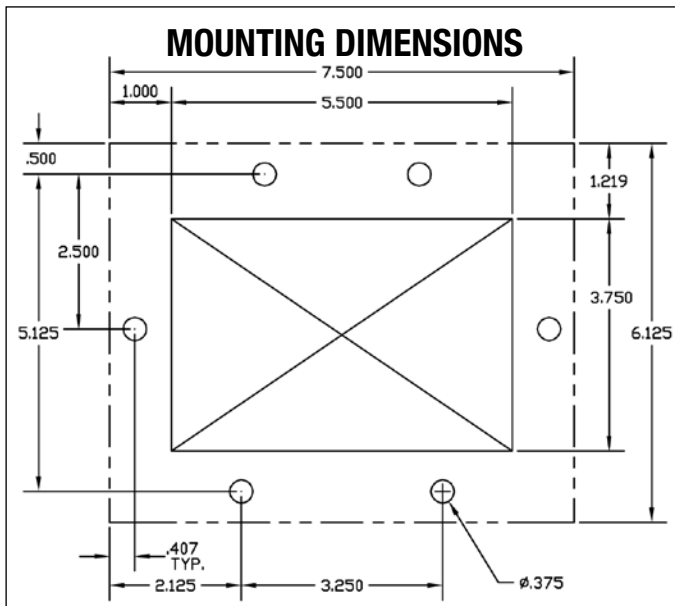


Line Power Low Voltage Couplers - The Mining Industry Standard for Couplers

Product
Data
Sheet

107-Series Coupler with Sliding Cover 600 Amp - 1000 Volt - AC Application



**107-Series
Receptacle**

Application

Suitable for cable with 3 power wires, ground and ground check.
For cable sizes up to 500 MCM Round and 1/0 Flat, Types W, G and G-GC.

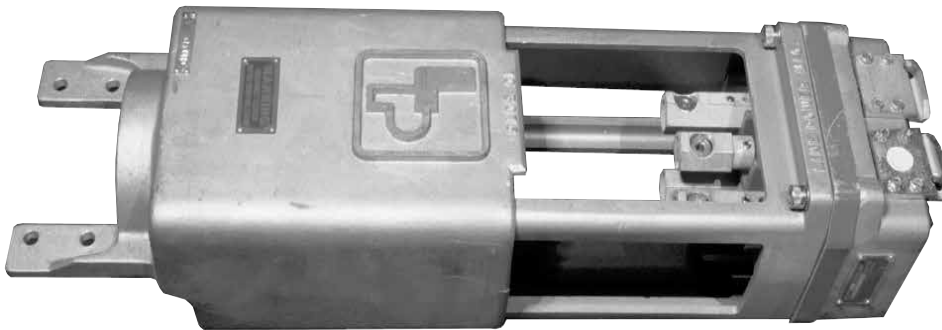
Receptacle Part Numbers

LP Part Number	Application	Dust Cap
RG40DFC107D	Gear Mounted Receptacle (Output)	Integral

Plugs



107-Series Plug



Sliding Covers and Large Terminating Compartments Make Cable Installation and Inspection Convenient.

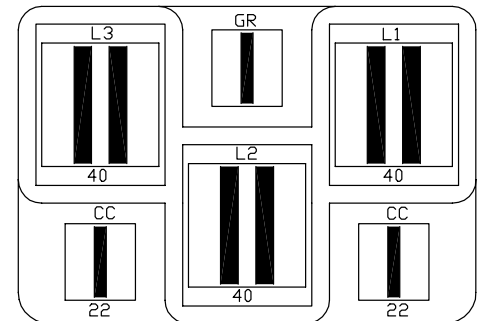
Application

Suitable for cable with 3 power wires, ground and ground check.

For cable sizes up to 500 MCM Round and 1/0 Flat, Types W, G and G-GC.

Overall dimensions: 7" H x 7.5" w x 20" L.

PIN ARRANGEMENT



1-KV AC 600A

Plug Part Numbers

LP Part Number	Application	Dust Cap
PL40DFC107S	Line Mounted Plug (Output and Line Splice)	10-6100



LPMS-LVC107-11/18

329 Williams Street • Bristol, VA 24201 • Phone (276) 466-8200 • Fax (276) 645-8887 • www.linepower.com
ISO9001 Registered • © 2014 Electro-Mechanical Corporation

