

Flange Terminators

General Information
Specifications
Parts

General

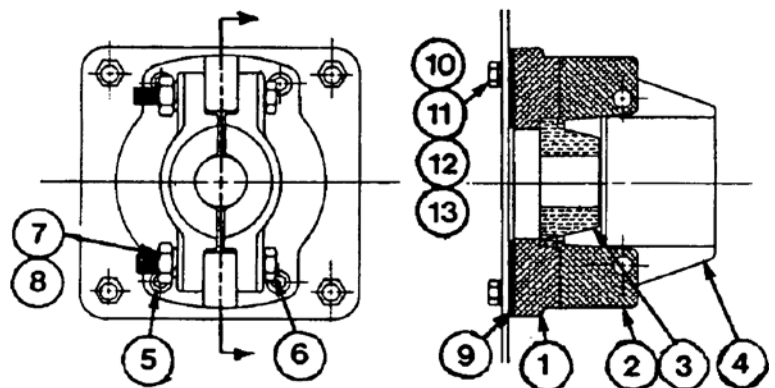
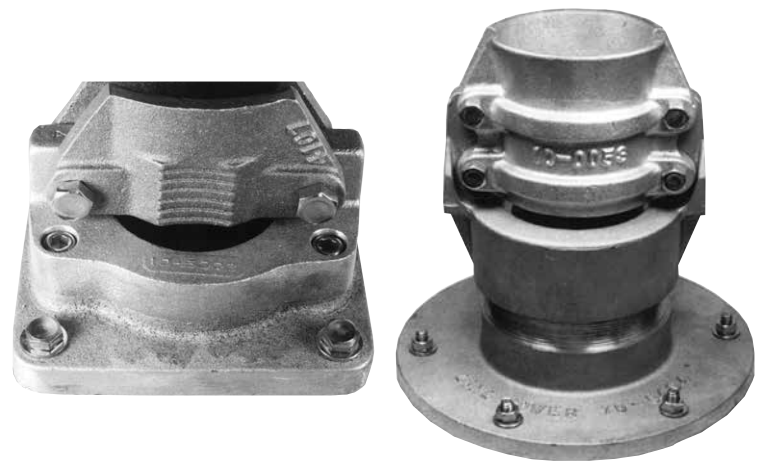
The Line Power Flange Terminator is a rugged combination of a strain relief mechanism and a water tight seal which is designed for use on all types of electrical equipment. It will accept a wide range of high and low voltage cable sizes. The Line Power Flange Terminator is superior to so called "cord grips" in that it provides mechanical strain relief through cable gripping aluminum clamps and a water tight seal through a rubber grommet. Conventional "cord grips" providing mechanical gripping with their grommet and do not use cable gripping clamps.

Line Power Flange Terminators are available in four types of mountings. The 02-2567 Series uses six (6) mounting holes on a 7 - 7/8" diameter circle, the same mountings as all PMG and SFG High Voltage Couplers (except SFG08). The 02-2568 Series mounts like the SFG08 High Voltage Coupler, six (6) holes on an 8 - 5/8" diameter circle. 02-2503 thru 02-2524 Flange Terminators use six (6) holes on a 6 - 1/8" diameter circle. The 02-2566 Series uses four (4) mounting holes in a 4 - 1/4" square pattern as found PG39, 59, 60, 67, 68, 69, 79 and 85 Low Voltage Couplers.

Selection

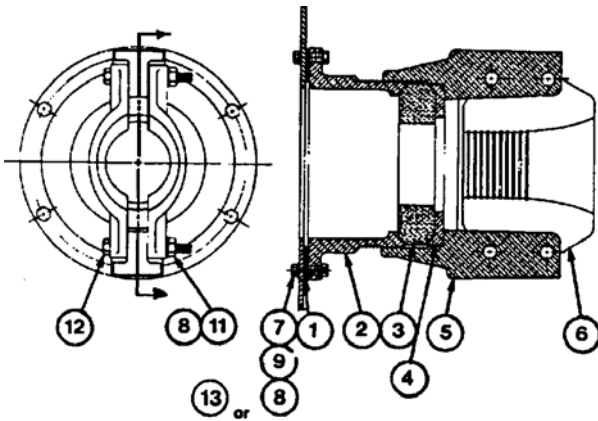
Flange Terminator Part Number	Cable Range	Item 3 Cable Seal Part Number
02-2566-01	.875 - 1.000	10-0131
02-2566-02	1.001 - 1.125	10-0132
02-2566-03	1.126 - 1.250	10-0133
02-2566-04	1.251 - 1.375	10-0134
02-2566-05	1.376 - 1.500	10-0135
02-2566-06	1.501 - 1.625	10-0136
02-2566-07	1.626 - 1.750	10-0137
02-2566-08	1.751 - 1.875	10-0138
02-2566-09	1.876 - 2.000	10-0139
02-2566-10	2.001 - 2.125	10-0140
02-2566-11	2.126 - 2.250	10-0141
02-2566-12	2.251 - 2.375	10-0142
02-2566-13	1/2x1/4 - 5/8x1-1/2	10-0127
02-2566-14	5/8x1-1/2 - 3/4x1-3/4	10-0128
02-2566-15	3/4x1-3/4 - 7/8x2	10-0129
02-2566-16	7/8x2 - 1x2-1/4	10-0130

Item Number	Part Number	Description
1	10-0168	Flange Terminator
2	10-0115	End Fitting
3	See Chart	Cable Seal
4	25-4107	Cable Clamp
5	01-2515	5/16-18NC x 1" SHCS
6	01-1000	3/8-16NC x 2-1/2" HHCS
7	01-2250	3/8" Lockwasher
8	01-2000	3/8-16NC Hex Nut
9	02-6007	Rubber Gasket
10	01-1014	5/16-18NC x 1-3/4" HHCS
11	01-2254	5/16" Lockwasher
12	01-2255	5/16" Flatwasher
13	01-2003	5/16-18NC Hex Nut



MOUNTING HOLE DIAMETER

7-7/8" Part Number	8-5/8" Part Number	6-1/8" Part Number	Cable Range	Item 3 Seal Gasket	Item 4 Comp. Ring	Item 6 Cable Clamp
02-2567-01	02-2568-01	02-2503	1.15 - 1.30	10-0059	10-0055	10-0046
02-2567-02	02-2568-02	02-2504	1.31 - 1.45	10-0060	10-0055	10-0046
02-2567-03	02-2568-03	02-2505	1.46 - 1.60	10-0061	10-0055	10-0047
02-2567-04	02-2568-04	02-2506	1.61 - 1.75	10-0062	10-0055	10-0047
02-2567-05	02-2568-05	02-2507	1.76 - 1.90	10-0063	10-0056	10-0048
02-2567-06	02-2568-06	02-2508	1.91 - 2.10	10-0064	10-0056	10-0049
02-2567-07	02-2568-07	02-2509	2.11 - 2.30	10-0065	10-0056	10-0050
02-2567-08	02-2568-08	02-2510	2.31 - 2.50	10-0066	10-0056	10-0050
02-2567-09	02-2568-09	02-2511	2.51 - 2.70	10-0067	10-0057	10-0051
02-2567-10	02-2568-10	02-2512	2.71 - 2.90	10-0068	10-0057	10-0052
02-2567-11	02-2568-11	02-2513	2.91 - 3.10	10-0069	10-0058	10-0053
02-2567-12	02-2568-12	02-2514	3.11 - 3.30	10-0070	10-0058	10-0053
02-2567-13	02-2568-13	02-2515	3.31 - 3.50	10-0171	10-0058	10-0054
		02-2519	1/2 x 1-3/4 x 1-1/2	10-0156	10-0058	10-0162
		02-2520	3/4 x 1-1/2 x 1 x 2	10-0157	10-0056	10-0163
		02-2521	1 x 2 1/4 x 2-1/2	10-0158	10-0056	10-0166
		02-2522	5/8 x 1-3/4 7/8 x 2-1/4	10-0159	10-0056	10-0164
		02-2523	1-18 x 2-3/4 1-1/8 x 2-3/4	10-0160	10-0057	10-0165
		02-2524	1-3/8 x 3-1/4	10-0161	10-0058	10-0167



Other Line Power Products

- Substations
 - Power Centers
 - Rectifiers
 - Starters
 - Switchhouses
 - Motor Test Centers
 - Vacuum Circuit Breakers
- High Voltage Switches
 - High Voltage Couplers
 - Transformers
 - Low Voltage Couplers
 - Ground Monitors
 - Bolted Pressure Switches
 - Grounding Resistors

Note: Specifications subject to change without notice.

LPMS-FT-0903

329 Williams Street • Bristol, VA 24201 • Phone (276) 466-8200 • Fax (276) 645-8887
 www.linepower.com • ISO9001:2008 Registered • © 2014 Electro-Mechanical Corporation

MOUNTING HOLE DIAMETER

Item Number	7-7/8" ■ Part Number	8-5/8" Part Number	6-1/8" Part Number	Description
1	20-0260	20-0393	20-6006	Gasket
2	10-0494-01	10-0494-02	10-0108	Flange
3	See Chart	See Chart	See Chart	Seal Gasket
4	See Chart	See Chart	See Chart	Compression Ring
5	10-0045	10-0045	10-0045	End Casting
6	See Chart	See Chart	See Chart	Cable Clamp
7			01-1013	3/8-16NC x 1-1/2" HHCS
8	01-1016	01-1016		1/4-20 x 1-1/2" HHCS
9	01-2250	01-2250	01-2250	3/8" Lockwasher
10			01-2253	3/8" Flatwasher
11	01-2252	01-2252		1/4" Flatwasher
12	01-2000	01-2000	01-2000	3/8-16" Hex Nut
13	01-1000	01-1000	01-1000	3/8-16 x 2-1/2" HHCS
14	01-2251*	01-2251*		1/4" Lockwasher
	01-2001*	01-2001*		1/4" Hex Nut

* Replaces Items (8) and (11) at switchgear.

■ For use with all PMG and all SFG *(except Series 08) Coupler mounting holes.

◦ For use with SFG Series (08) Coupler mounting holes only.

