

Series 10 & 20 High Voltage Fuses

Product
Data
Sheet

- **Wide Range of Ampere Sizes**
- **Two Types Cover 4 Thru 24 kV**
- **High Interrupting Capacity**
- **Direct Replacement for Similar Types by Other Manufacturers**
- **Built-in Indicator/Plunger for Auxiliary Tripping (Striker Pin)**

General

Line Power fuses are indoor type, automatic, selectively acting high voltage protection devices for the 4-24 kV voltage range. By rapid action, these fuses reliably protect transformers, cables, capacitors and switching installations from thermal and dynamic effects of short circuits. The Line Power fuses are direct replacements for similar types now in service. They are readily applicable for protection of high voltage equipment of all types.

Striker Pin

A spring loaded plunger (called a striker pin) is standard on all Line Power High Voltage Fuses. This striker operates immediately when the fuse is blown and not only gives a visual indication but can be used to operate tripping or signaling mechanisms.

Double Fusing

In special cases, a rated current may be required exceeding that which is available in a single fuse; such rated current can be realized by parallel connection of several fuses per pole.

Fuse Mounting Assembly

Line Power manufactures a mounting assembly for use with these fuses. Each assembly is for one phase and includes fuse clips, insulators and a channel with adjustment holes for either Series 8 or Series 24 length fuses. Mounting assemblies are available for single or double fuses.



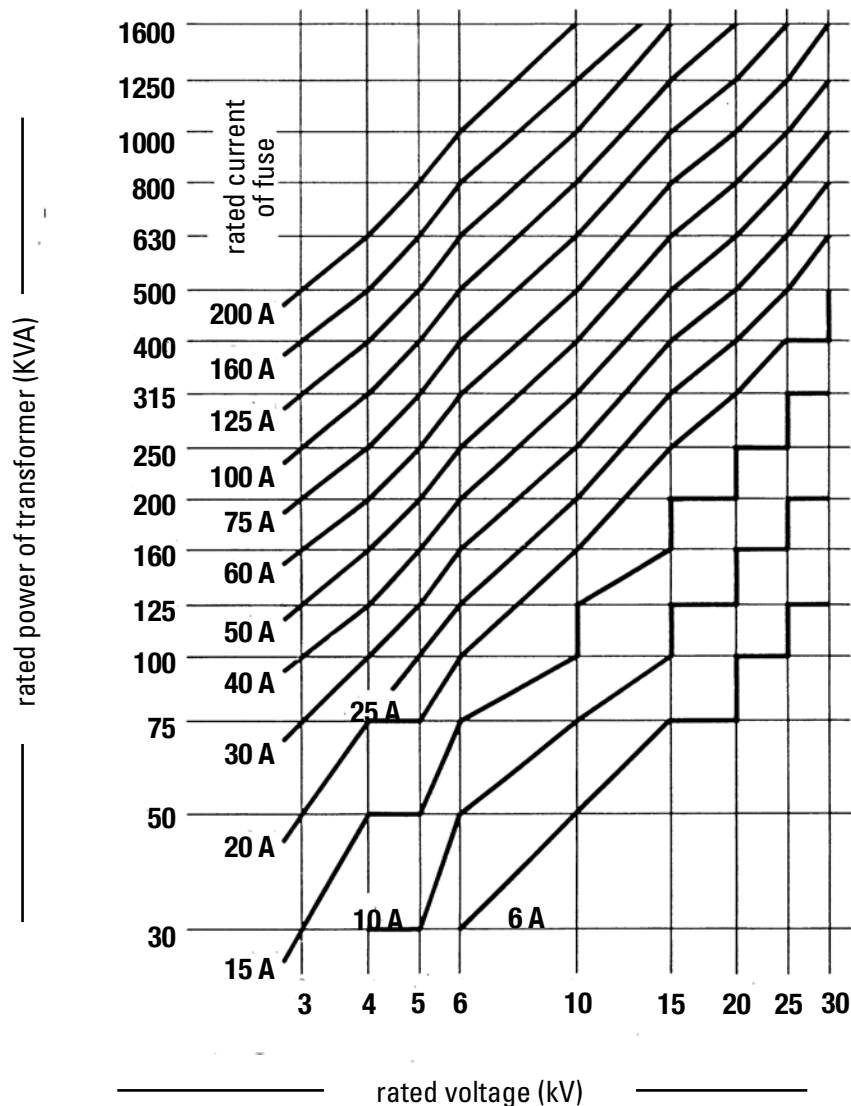
Fuse Protection of Transformers

Various criteria must be observed in selecting fuses for the short circuit protection of transformers:

1. The rated current of the fuse must not be less than a certain value so as to prevent operation of the fuse by the transformer inrush current.
2. The rated current of the fuse must not be too high in order to prevent the current flowing through the fuse due to a short circuit on the low voltage side of the transformer, being below the minimum breaking current of the fuse (taking account of cable impedance and arc resistance).

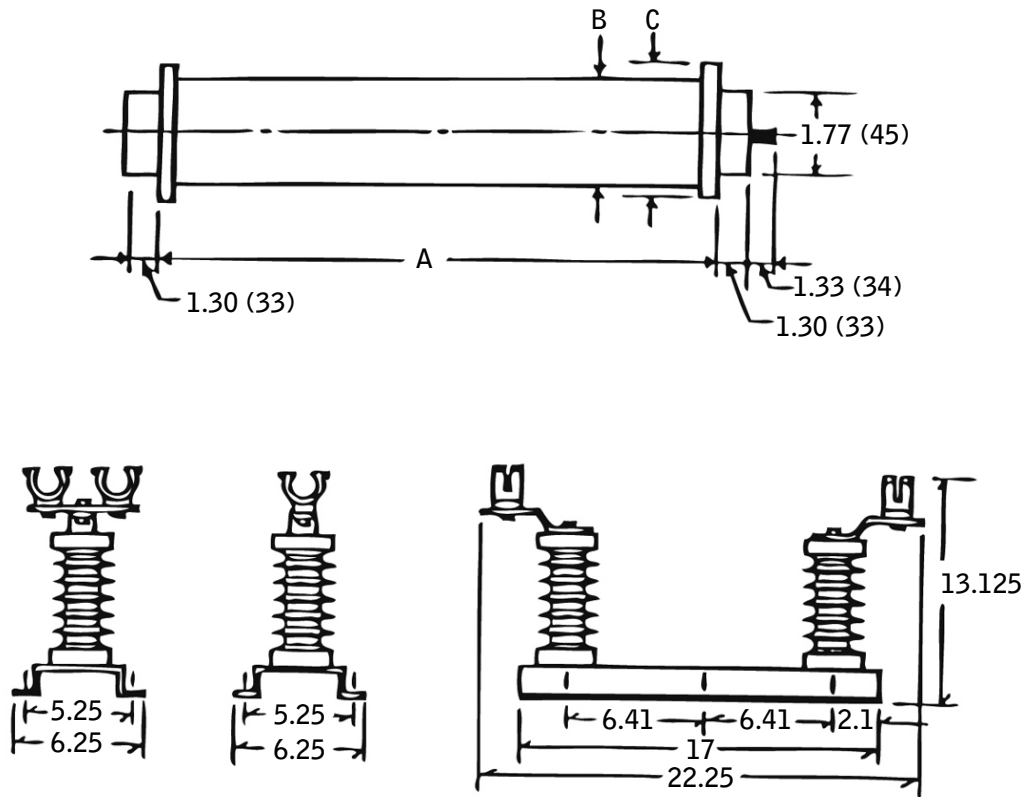
3. The rated current of the high voltage fuse must be sufficiently high to assure discrimination between high voltage and low voltage transformer fuses.
4. The rated current of the fuse must be as low as possible so that their time/current characteristic is below the operating characteristics of the relay in the supply feeder.

Taking the above mentioned points into account, selection of the fuses in accordance with the diagram below is recommended.



Selection Data

Fuse Mounting Assemblies

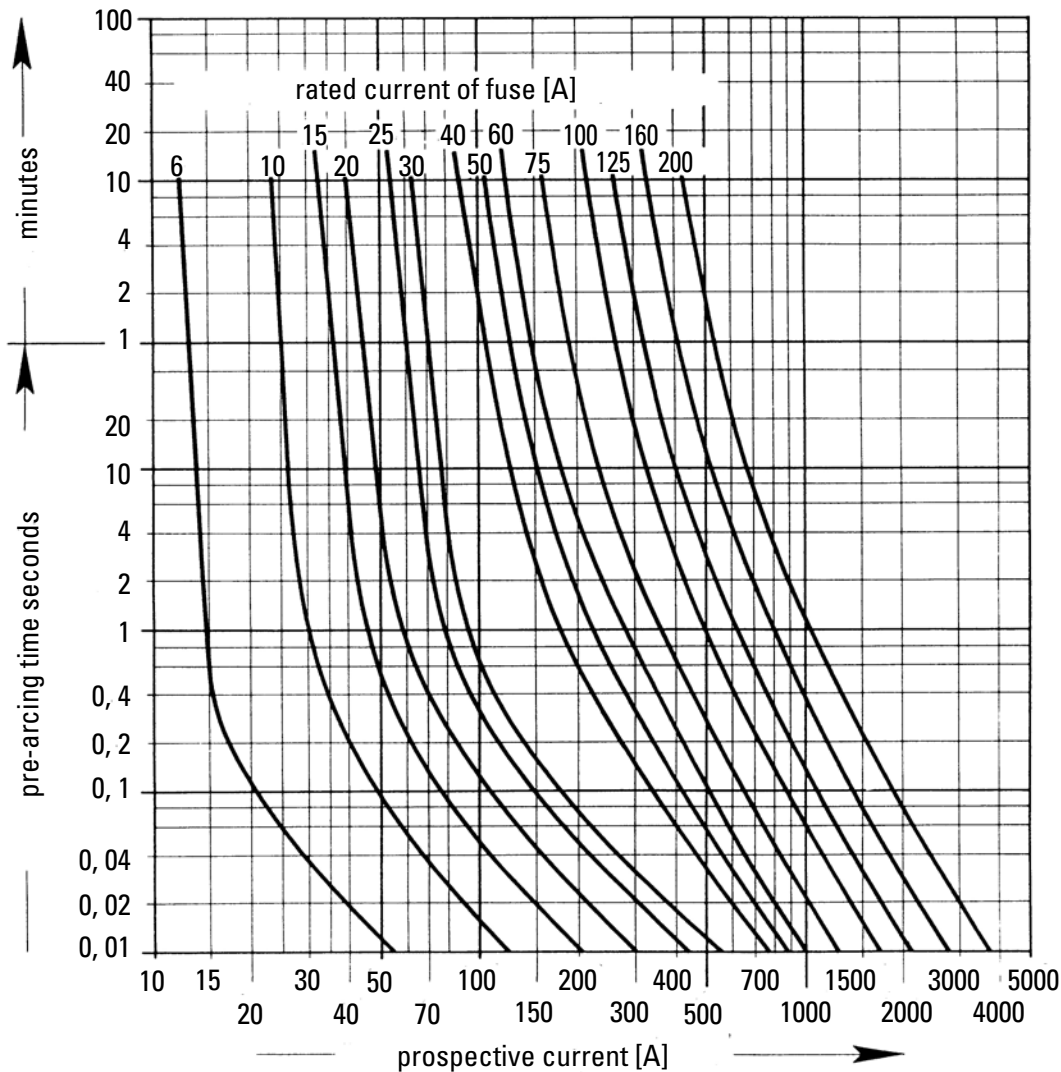


Part Number	Description
13-2035-01	Mount for single fuse
13-2035-02	Mount for double fuse

	Current Rating	Part Number	MVA Rating	Dimensions - Inches (mm)	
				A	B
Voltage Class Series 10 (use on 4kV through 10kV systems)	60	13-0011-01	400	11.5 (292)	3.23 (82)
	125	13-0014-01	400	11.5 (292)	3.23 (82)
	160	13-0015-01	400	11.5 (292)	3.23 (82)
	200	13-0016-01	400	11.5 (292)	3.23 (82)
Series 20 (use on 12kV through 24kV systems)	75	13-0028-01	400	17.4 (442)	3.23 (82)
	100	13-0029-01	400	17.4 (442)	3.23 (82)
	125	13-0030-01	400	17.4 (442)	3.23 (82)
	160	13-0031-01	400	17.4 (442)	3.23 (82)

Time Current Characteristics

The diagram below shows the pre-arcing time/fault current characteristics of Line Power fuses, rated currents 6 to 200 amps.



For additional information and/or ordering instructions, please contact your local Line Power Representative or the factory at the address and phone number below.

IMPORTANT

The information contained herein is general in nature and is intended FOR REFERENCE ONLY. It is the responsibility of the designer to select the fuse for a specific application. All pertinent design criteria must be considered.

Specifications subject to change without notice.

LPMS-F20-1110