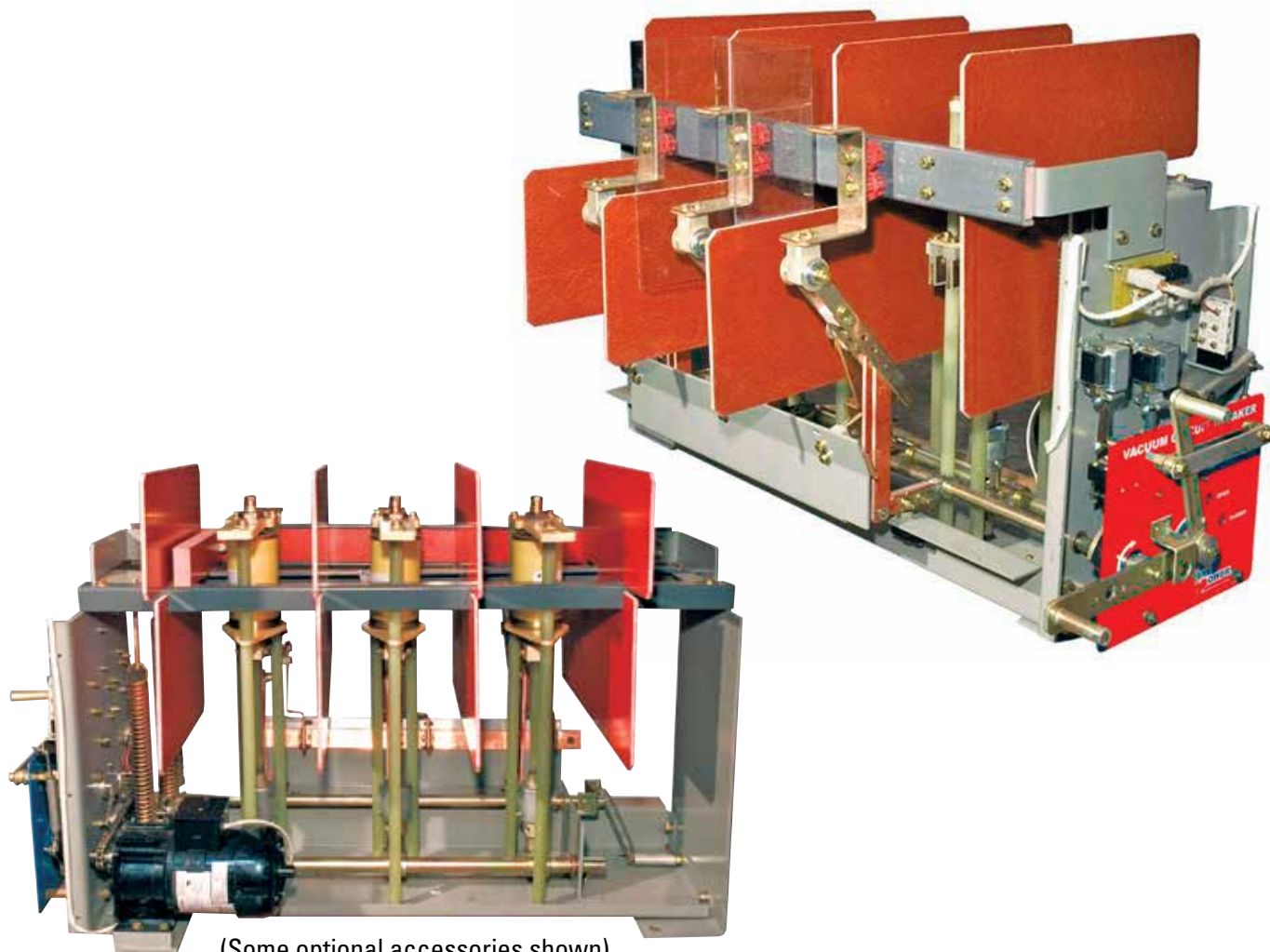


# 27 kV 600 Amp Vacuum Circuit Breaker

General  
Information  
Specifications



(Some optional accessories shown)

## Application

Line Power Manufacturing's Vacuum Circuit Breaker, 3-phase, 27kV power interrupting device, is designed to provide protection for all types of electric feed circuits within its ratings.

## Ratings (600 Amp Model)

Continuous Current .....	600 Amperes*
Maximum Voltage .....	27 kV
Symmetrical Interrupting Current .....	12,500 Amperes
Lightning Impulse Withstand (BIL) .....	125 kV
Switching Current.....	600 Amperes

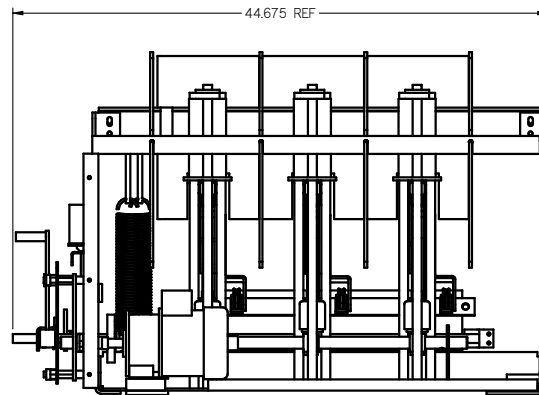
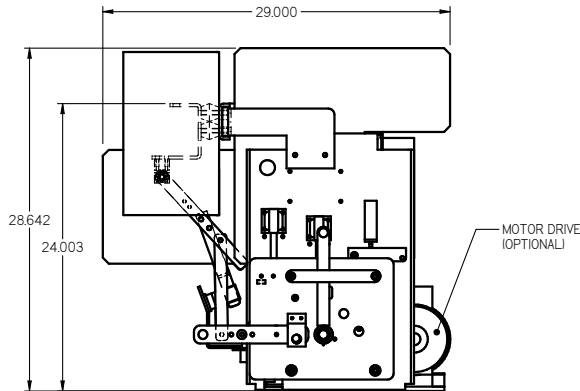
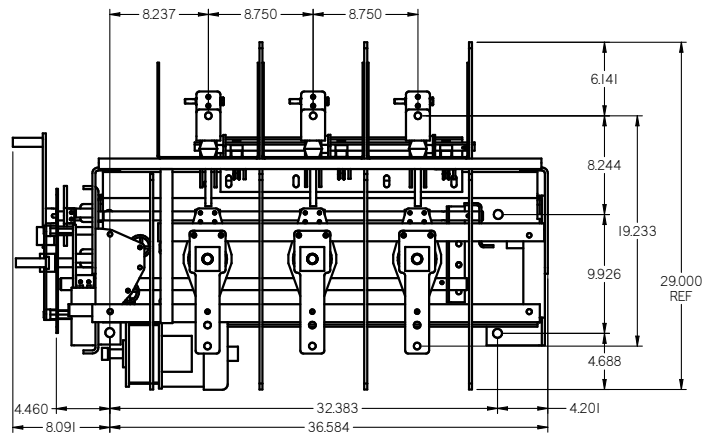
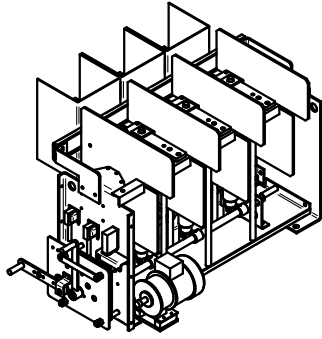
\* The VCB is rated 600 amps continuously in a 40° C environment with one square foot of total ventilation or a 35° C environment with no ventilation.

Derating to 580 amps is required if the VCB is operated at 40° C environment without ventilation.

## Features

- Mechanically interlocked visible disconnect.
- Independent bottle wear indicators.
- Each bottle assembly can be independently adjusted for proper contact pressure to insure that adequate interrupting capacities are met.
- Optional Accessories
  - Load side grounding of visible disconnect
  - Non-isolated
  - Isolated
  - Shunt Trip
  - Undervoltage release
  - Motor operation
  - Key interlocks

# 27kV, 600 Amp Vacuum Circuit Breaker with Visible Disconnect and Grounding Profile



## SELECTION CHART

DESCRIPTION	PART NO.	20-2119-01	20-2119-02	20-2119-03	20-2119-04	20-2119-05	20-2119-06	20-2119-16	20-2119-17	20-2119-18	20-2119-19	20-2119-20	20-2119-21	20-2119-22	20-2119-23	20-2119-24	20-2119-34	20-2119-35	20-2119-36
BASIC		X	X	X	X	X	X	X	X	X	X	X	X	X	X	X	X	X	X
VISIBLE DISCONNECT		X	X	X	X	X	X	X	X	X	X	X	X	X	X	X	X	X	X
MOTOR DRIVE																			
NONE		X	X	X	X	X	X	X	X	X									
120V											X	X	X	X	X	X	X	X	X
SHUNT TRIP																			
NONE		X	X	X							X	X	X						
48Vdc - 175Vdc					X	X	X							X	X	X			
CAP TRIP (120Vdc - 375Vdc)*								X	X	X							X	X	X
UNDervOLTAGE																			
NONE		X			X			X			X			X			X		
120 VAC			X			X			X			X			X			X	
240 VAC				X			X			X			X			X			X
SUFFIX LETTERS																			
G		OUTPUT GROUNDING (NON-ISOLATED)																	
IG		OUTPUT GROUNDING (ISOLATED)																	
K		KIRKLOCK PROVISION																	
KK		2 KEY KIRKLOCK PROVISION																	

Drawing is based on Vacuum Breaker part number 20-2119-05.

\*A series of two auxiliary contacts are recommended for tripping with dc voltage over 170Vdc.

