

# DTS-VCB<sup>®</sup> Draw-Out Vacuum Circuit Breaker

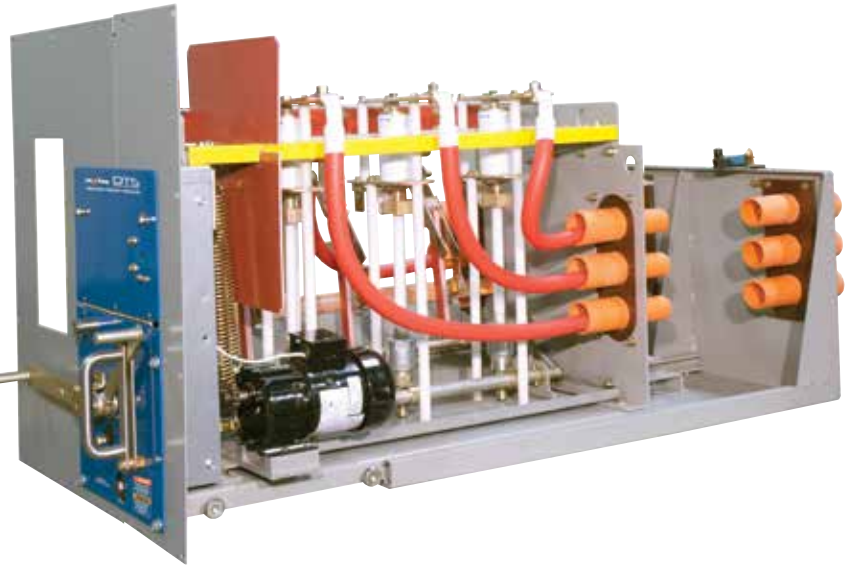
General  
Information  
Specifications

## Benefits

- Greatly reduced downtime for maintenance and repair.
  - Automatic high voltage connection
  - Reliable and fast screw together low voltage connections
- Uses existing Line Power breaker and plug technology

## Application

Line Power Manufacturing's DTS Vacuum Circuit Breaker, 3-phase, 15.5 kV power interrupting device, is designed to provide protection for all types of electric feed circuits and rapid service.

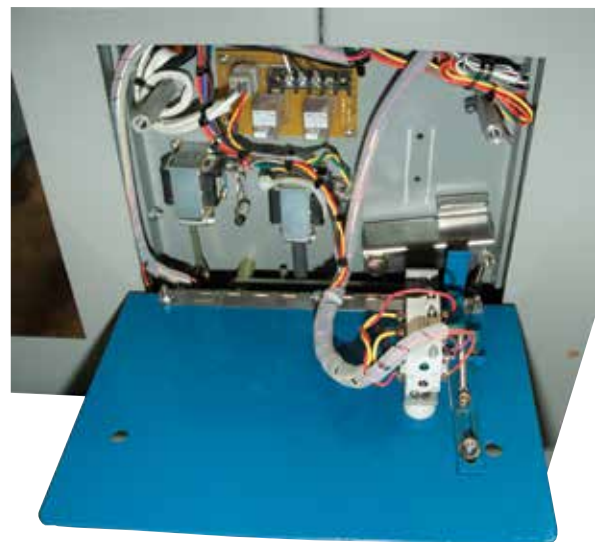


## Ratings

Continuous Current .....	600 Amperes*
Maximum Voltage .....	15.5 kV
Symmetrical Interrupting Capacity .....	12,500 Amperes per IEEE Std. C37.60
Lightning Impulse Withstand (BIL) .....	95 kV
Switching Current.....	630 Amps, per IEEE Std. C37.60

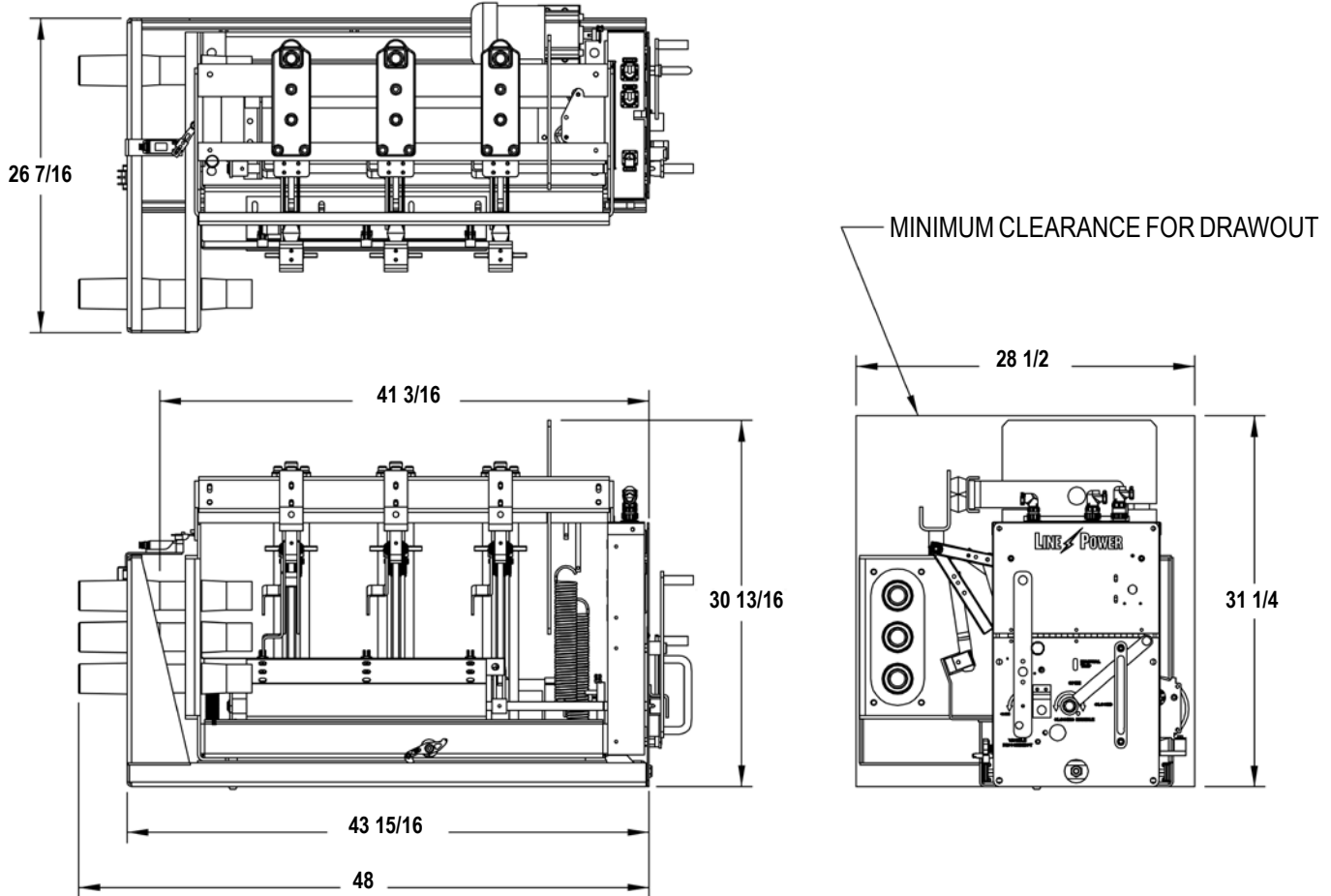
## Features

- Mechanically and electrically interlocked visible disconnect.
- Independent bottle wear indicators.
- Each bottle assembly can be independently adjusted for proper contact pressure to insure that adequate interrupting capacities are met.
- Optional Accessories
  - Load side grounding of visible disconnect
    - Non-isolated
    - Isolated
  - Shunt Trip
  - Undervoltage release
  - Motor operation
  - Key interlocks
- Automatic high voltage plugs are the same as used in time tested Line Power high voltage couplers.
- Hinged front panel for barriered access to low voltage compartments.
- Rack out tray is interlocked with the integral visible disconnect switch to prohibit extraction under load.



\* Consult factory for 630 amp applications.

# 15.5kV, 600 Amp DTS-VCB<sup>®</sup> Vacuum Circuit Breaker with Visible Disconnect and Grounding Options



## SELECTION CHART

	PART NO.	20-2316-01	20-2316-02	20-2316-16	20-2316-17	20-2316-19	20-2316-20	20-2316-34	20-2316-35
<b>DESCRIPTION</b>									
BASIC		X	X	X	X	X	X	X	X
VISIBLE DISCONNECT		X	X	X	X	X	X	X	X
MOTOR DRIVE									
NONE		X	X	X	X				
120V						X	X	X	X
SHUNT TRIP									
NONE		X	X			X	X		
48Vdc - 250Vdc, 120Vac				X	X			X	X
UNDERVOLTAGE									
NONE		X		X		X		X	
120 VAC			X		X		X		X
SUFFIX LETTERS									
G		Output Grounding (Non-Isolated)							
IG		Output Grounding (Isolated)							
K		Kirklock Provision							
KK		2 Key Kirklock Provision							

Drawing is based on Vacuum Breaker part number 20-2316-19G.

