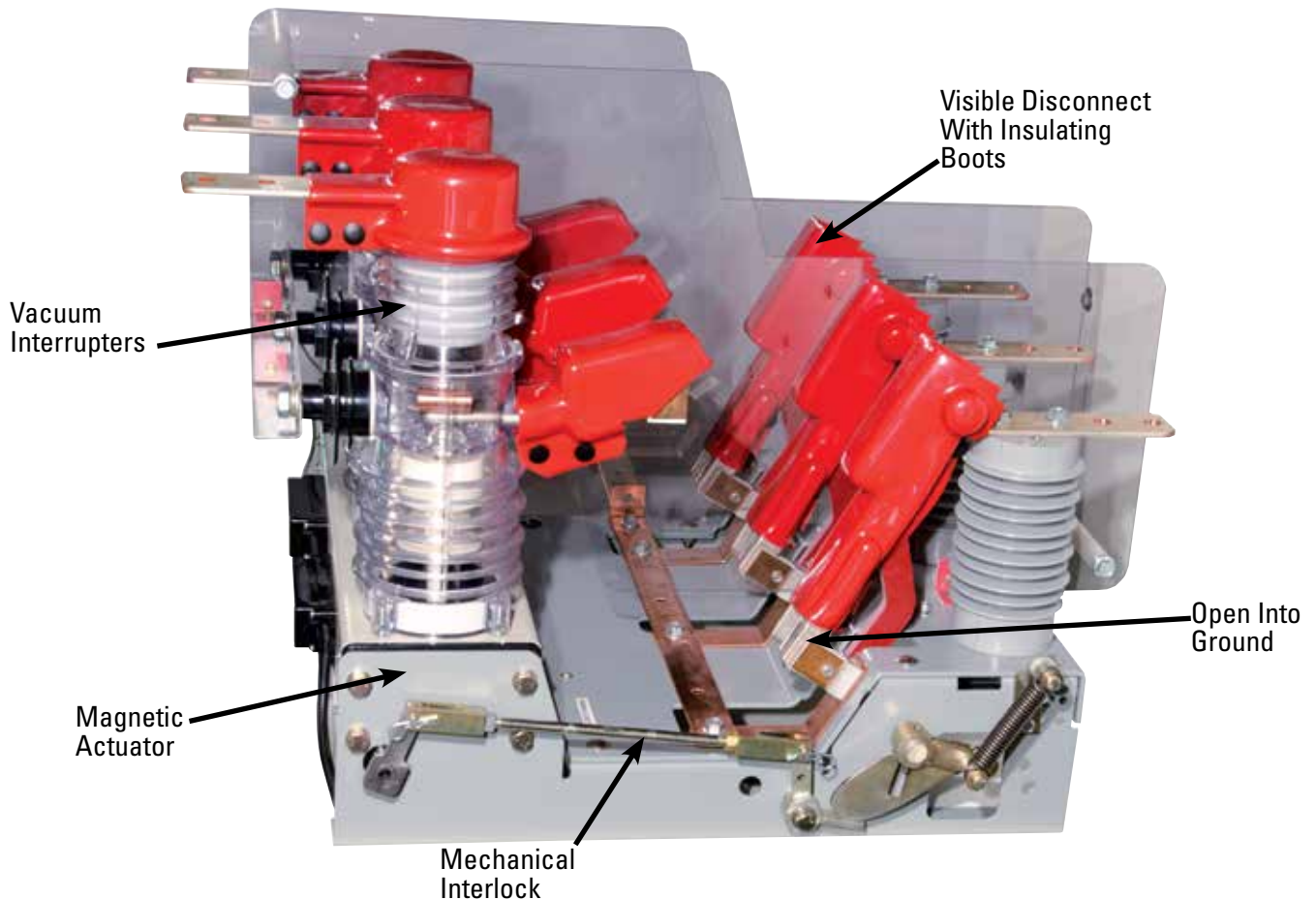


25kV 600 Amp MAVRiC[®] Mining Duty Vacuum Circuit Breaker

General
Information
Specifications



Application

Line Power Manufacturing's Vacuum Circuit Breaker, 3-phase, 25 kV vacuum interrupter device, is designed to provide protection for all types of electric feed circuits within its ratings.

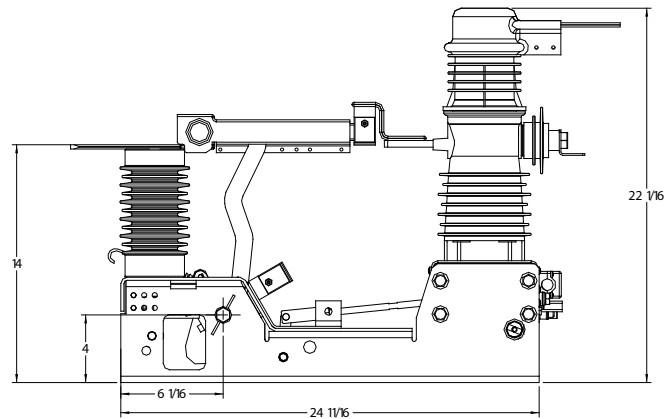
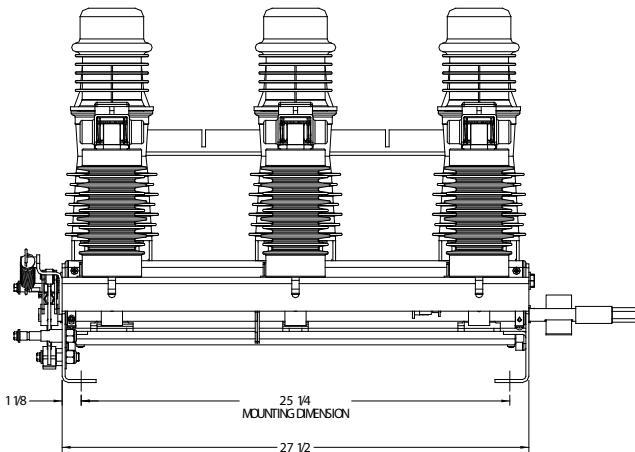
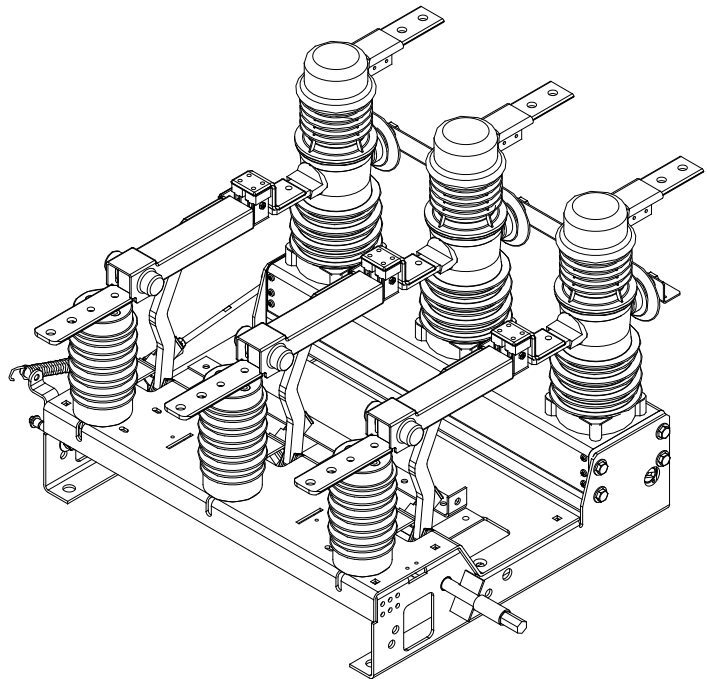
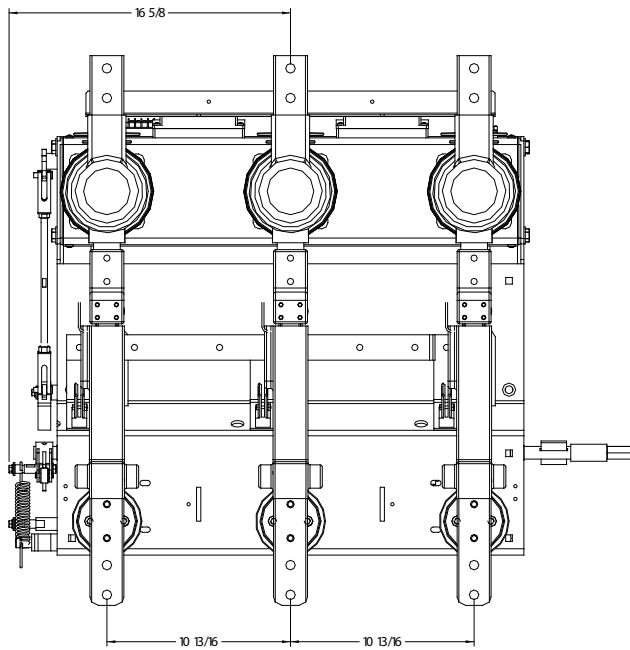
Ratings

Continuous Current	600 Amperes
Maximum Voltage	25kV
Symmetrical Interrupting Capacity	15,000 Amperes Symmetrical
Lightning Impulse Withstand (BIL)	125 kV
Manual Operations	50,000 +

Features

- Reliable Magnetic Actuator
 - Rapid Operation, 3 Cycle
 - Maintenance Free Vacuum Assembly
 - Few Moving Parts
- Load Side Grounding of visible disconnect
- Universal Control Power
 - 120 to 170 VDC, 100-220 VAC
- Auxillary Contacts - six 'a' and six 'b' contacts
- Mechanically interlocked visible disconnect
- Optional Accessories (Available in Power Centers)
 - Shunt Trip
 - Undervoltage release
 - Key interlocks
- Very Compact
 - Easy to Retrofit
 - Smaller Power Centers

25kV, 600 Amp MAVRiC® Mining Duty Vacuum Circuit Breaker Outline Drawing



Part Number

LP-25MAVRiC-RH Right Hand Operated Visible Disconnect*

LP-25MAVRiC-LH Left Hand Operated Visible Disconnect*

* Includes Control Module

